
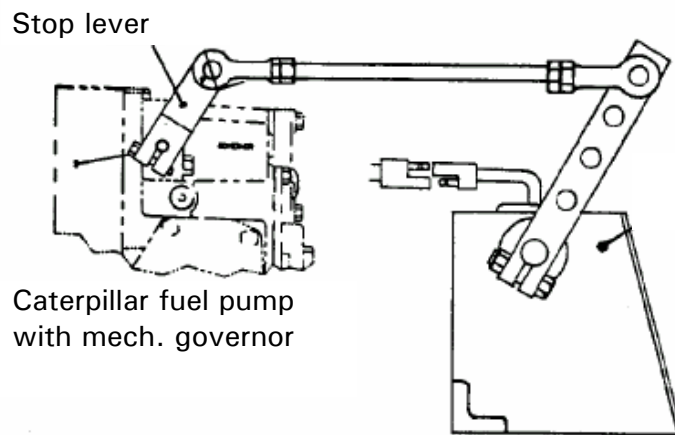
	<b>Document:</b> Application Note <b>Version:</b> 2 <b>Status:</b> actual <b>Author:</b> bs <b>Date:</b> 03-03-10 <b>Approved:</b> ro <b>Date:</b> 03-03-10 <b>File:</b> PC	<b>GAC</b> <b>Governor Applications</b> <b>on</b> <b>Caterpillar 3304, 3306</b>	 Tel.: +41-62-916 50 30 Fax: +41-62-916 50 35 www.huegli-tech.com
---	--	--	---

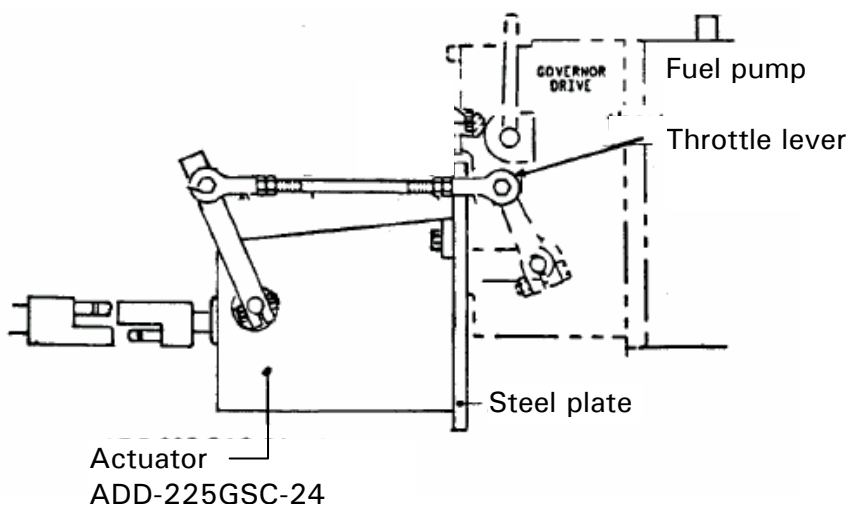
## GAC Governor Options for Caterpillar 3304, 3306 Engines

### 1. Engines with Caterpillars own mechanical governor





GAC actuator ADD-225GSC-24 is installed on a solid bracket near the mechanical governor and linked to the stop lever.  
The throttle lever must be blocked in a forward position, resulting in a speed that is 200 - 300 RPM **above** the nominal operating speed.

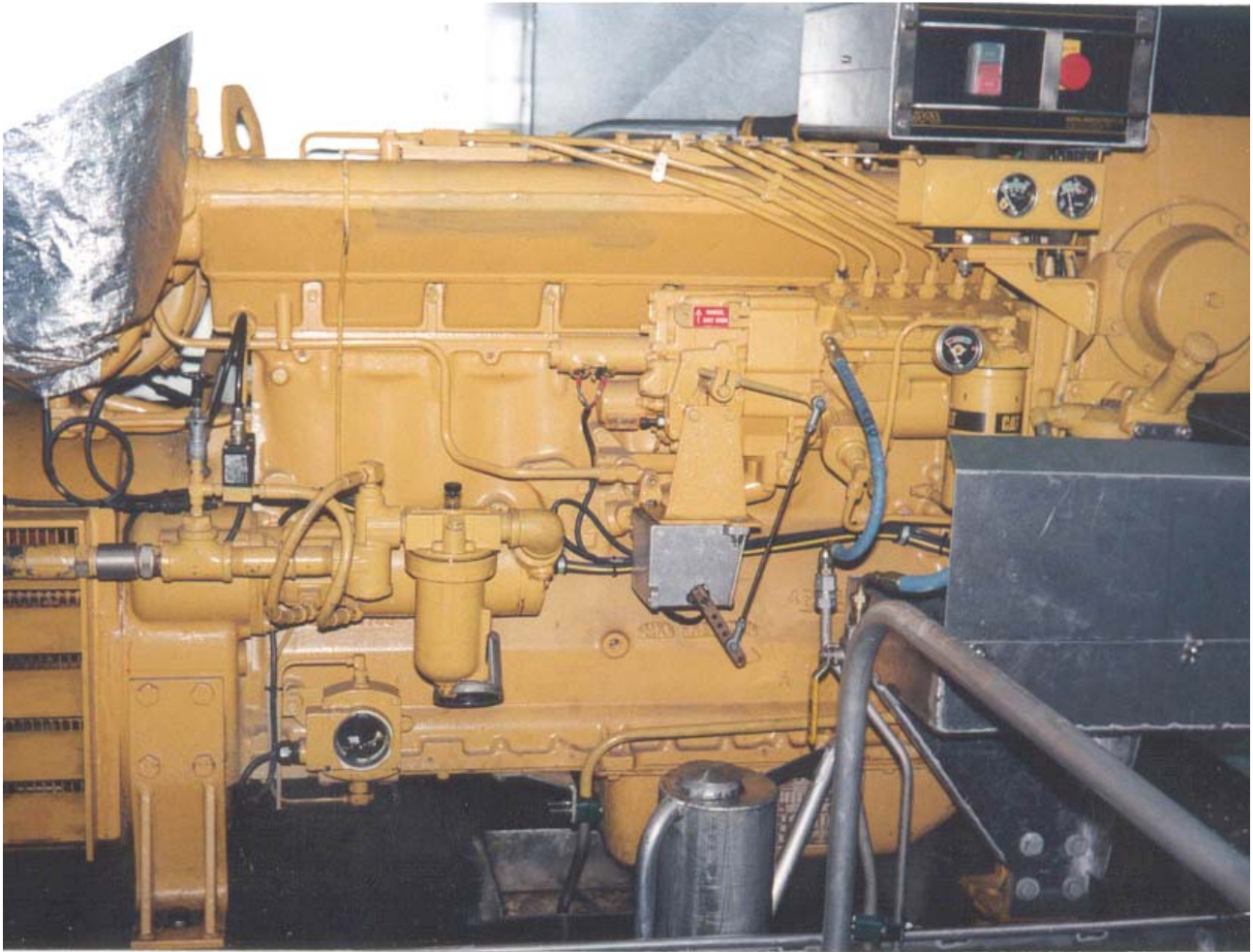
### 2. Engines with externally fitted Woodward PSG hydraulic governor



The PSG hydraulic governor must be removed.  
A steel plate must cover up the PSG drive hole.  
The GAC ADD-225GSC-24 actuator lever is linked to the throttle lever.

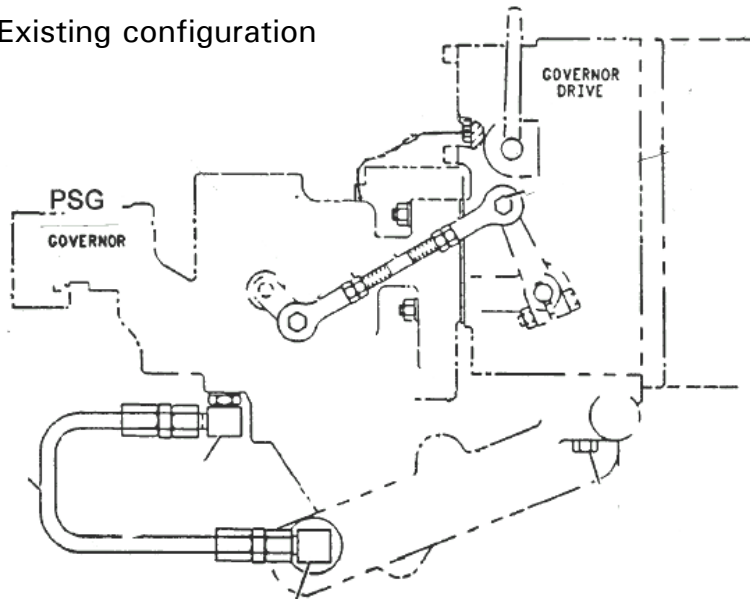
 <p>Engine Governing Systems</p>	<p><b>Document:</b> Application Note  <b>Version:</b> 2  <b>Status:</b> actual  <b>Author:</b> bs     <b>Date:</b> 03-03-10  <b>Approved:</b> ro     <b>Date:</b> 03-03-10  <b>File:</b> PC</p>	<p><b>GAC</b>  <b>Governor Applications</b>  on  <b>Caterpillar 3304, 3306</b></p>	 <p><b>HUEGLI TECH LTD</b>  <b>SWITZERLAND</b>  Tel.: +41-62-916 50 30  Fax: +41-62-916 50 35  www.huegli-tech.com</p>
---	---	--	---

**Application sample GAC ADD-225GSC-24 actuator on CAT 3306**



## Replacing Woodward PSG Governor with GAC Actuator ADD-225GSC-24

Existing configuration



GAC Actuator installation

