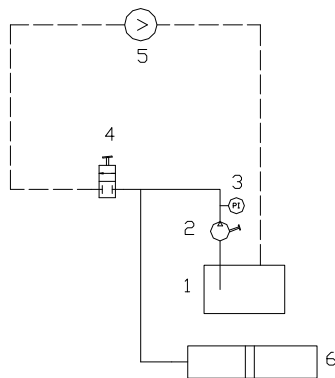


## Compact Recharging Package Type "CPS", comprising Oil Reservoir - Hand Pump - Accumulator - Control Valve

Recommended for emergency or infrequent use.  
Accumulator is recharged by the hand pump.



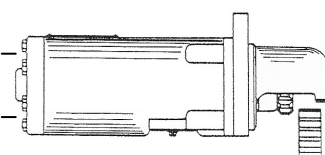
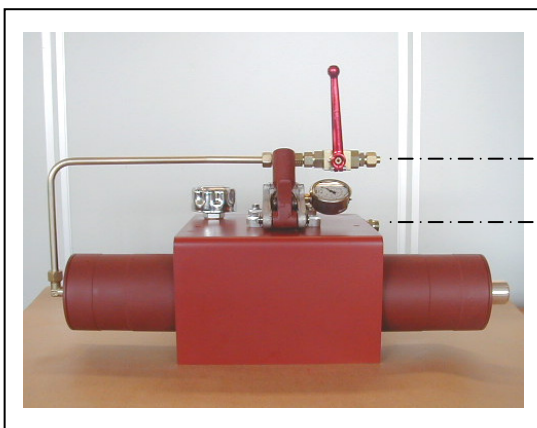
1	Reservoir	5 l
2	Hand pump	
3	Pressure gauge	
4	Start valve	
5	Hydrotor	Type CMO / Type CMA
6	Accumulator	3.8 l (1 gal)

Cranking Time with 3.8 l accumulator:

- for hydrotor type CMO: 5 sec.
- for hydrotor type CMA: 2 sec.

Max. working pressure 210 bar

## Compact Pumping Unit Version "CPS"



Scope of Supply:

- Pumping unit
- Hydraulic starter
- Hose kit (2 hoses)

- The version "CPS" compact unit greatly facilitates the installation of a hydraulic starting system. It eliminates locating and piping the individual system components on the engine.
- Only 2 hoses are required to connect the hydraulic starter motor to the pumping unit.

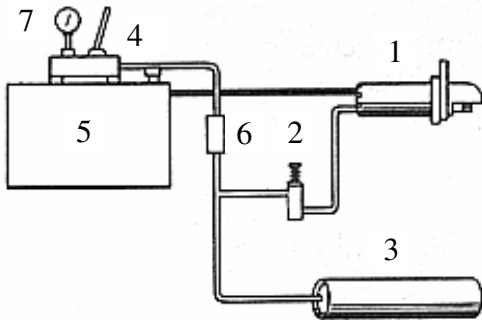
This package is designed to fit into the engine frame or genset frame.

*Solutions for combustion engines,  
that work right from the beginning.*

Murgenthalstrasse 30  
CH-4900 Langenthal  
Phone: +41 (0)62 916 50 30  
Fax: +41 (0)62 916 50 35  
E-Mail: sales@huegli-tech.com



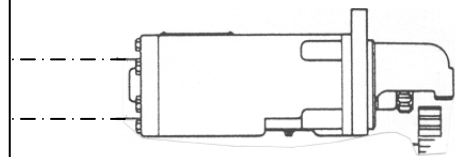
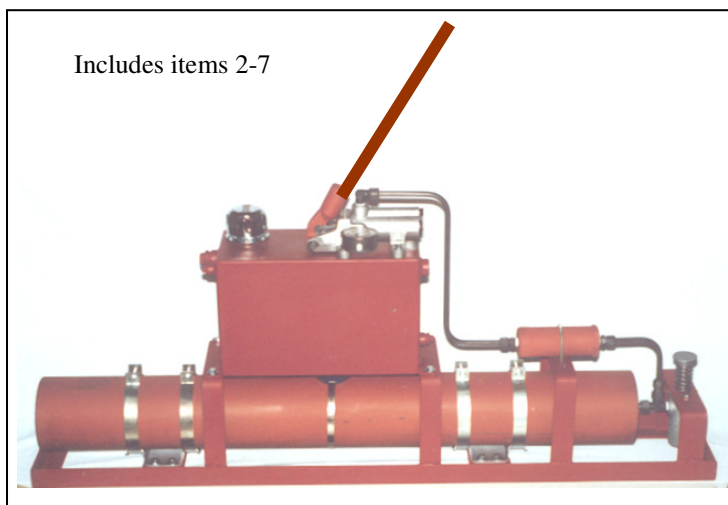
## Compact Recharging Package Type "B", comprising Accumulator(s) - Oil Reservoir - Hand Pump - Filter - Control Valve



### HPS Hand Pump System

Recommended for emergency or infrequent use.  
Accumulator is recharged by the hand pump.  
The foot pedal valve can be substituted by a pilot operated valve for remote control.

### Compact Pumping / Accumulator Unit Version "B"



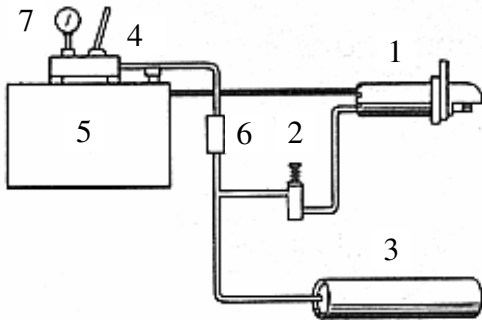
Hydraulic  
Starter



Hose kit  
(2 hoses)

- The version "B" package is a fully self contained power source to activate the hydrotor starter. It eliminates locating and piping the individual system components on the engine.
- Two hoses only are required to connect the hydraulic starter.
- This package can be tailored to any requirement.
- Classification societies certificates are available on request.
- An engine, or electric motor driven recharging pump can be connected to the system, for automatic recharge of the accumulator.

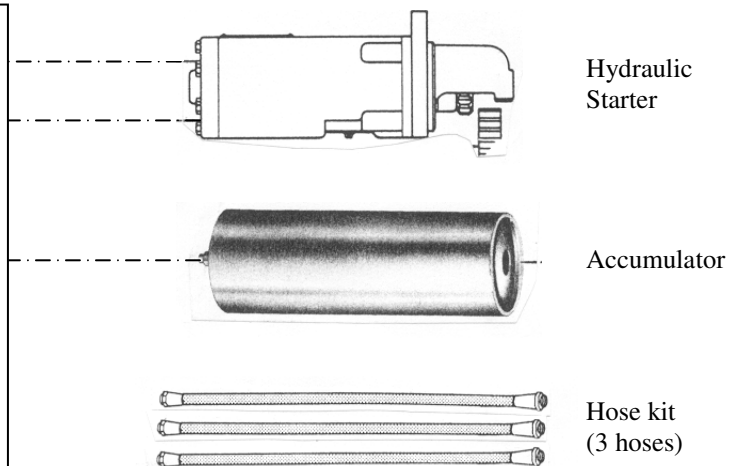
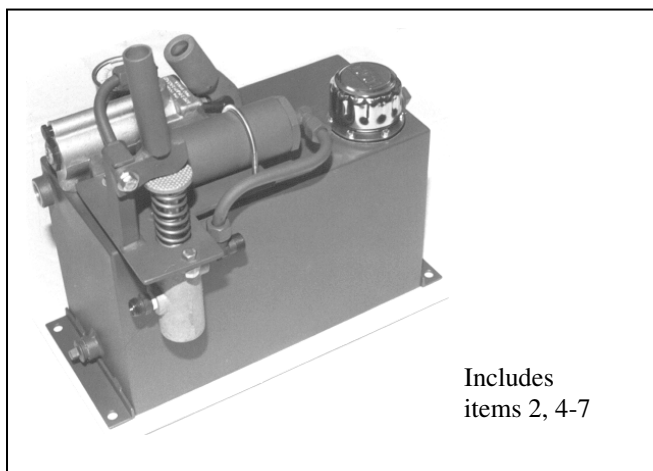
## Compact Recharging Package Type "A", comprising Oil Reservoir - Hand Pump - Filter - Control Valve



### HPS Hand Pump System

Recommended for emergency or infrequent use.  
Accumulator is recharged by the hand pump.  
The foot pedal valve can be substituted by a pilot operated valve for remote control.

### Compact Pumping Unit Version "A"



- The version "A" compact unit greatly facilitates the installation of a hydraulic starting system. It eliminates locating and piping the individual system components on the engine.
- Only 3 hoses are required to connect the accumulator and the hydraulic starter motor to the pumping unit.
- This package is usually preferred when the accumulator(s) is fitted in the engine frame.
- Classification societies certificates are available on request.
- An engine driven recharging pump can also be added to the system, for automatic recharge of the accumulator.