

J1939 Bus Splitter

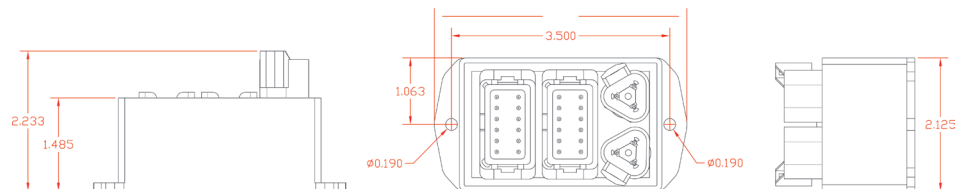
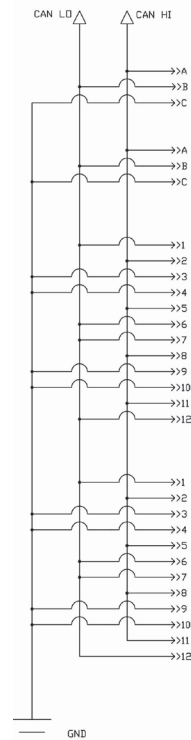
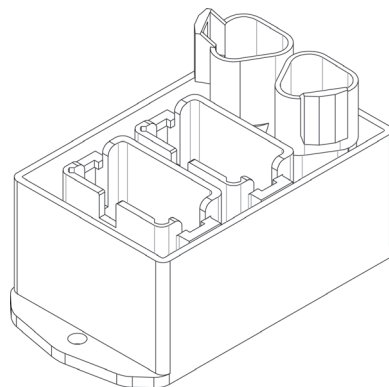
Product Features

- Reduces bus harnessing
- Reduces actual and production costs
- Reduces bus connections increasing quality & durability
- Eases troubleshooting of harnesses
- Potted for a true IP67 rating
- Operating & storage temp. rating -45°C to +85°C
- 2 x DT04-3P Deutsch Connectors / 6 x Gold Plated Pins / 2 x W3P-J1939 Blue Wedge Locks / 2 x DTF15-12PA 12 pin Deutsch Connectors
- Rugged ABS Housing Enclosure



J1939 Bus Splitter V99-0120

This CAN bus splitter provides a cost effective and space efficient way of connecting multiple devices to the J1939 CAN bus. This module reduces cost by eliminating Y adapters and extra harnesses typically used to provide additional connections to the bus.



HUEGLI TECH AG (LTD)
Murgenthalstrasse 30
4900 Langenthal Switzerland
Phone: +41 62 916 50 30
Fax: +41 62 916 50 35

e-mail: sales@huegli-tech.com
www.huegli-tech.com