

# CAN Bus Devices

## Power & Ground Bus Splitter

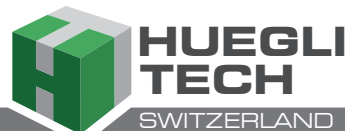
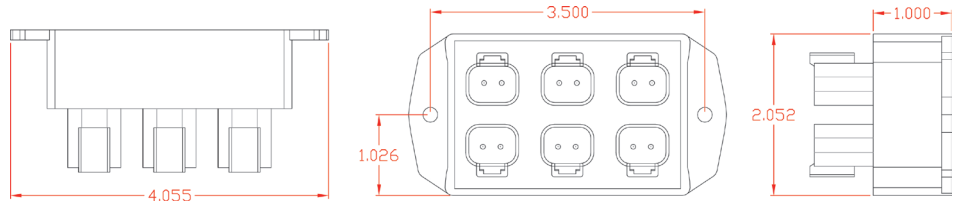
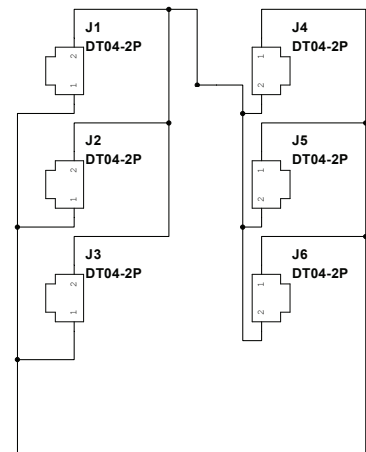
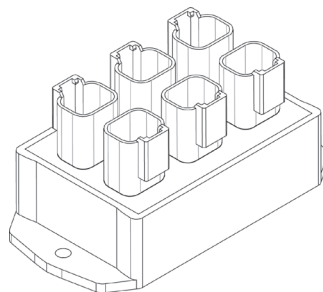
### Product Features

- Reduces bus harnessing
- Reduces actual and production costs
- Reduces bus connections increasing quality & durability
- Eases troubleshooting of harnesses
- Potted for a true IP67 rating
- Operating & storage temp. rating -45°C to +85°C
- 6 x DT04-2P Deutsch Connectors / 12 x 2 pin DT (Tin plated pins) / 6 x W2P Green Wedge Locks
- Used for Power & Ground Distribution



## Power & Ground Bus Splitter V99-0290

This Power & Ground bus splitter provides a cost effective and space efficient way of connecting multiple devices to the Power & Ground bus. This module reduces cost by eliminating Y adapters and extra harnesses typically used to provide additional connections to the bus.



HUEGLI TECH AG (LTD)  
Murgenthalstrasse 30  
4900 Langenthal Switzerland  
Phone: +41 62 916 50 30  
Fax: +41 62 916 50 35

e-mail: [sales@huegli-tech.com](mailto:sales@huegli-tech.com)  
[www.huegli-tech.com](http://www.huegli-tech.com)