

CAN Bus Devices

Power & Ground Bus Splitter

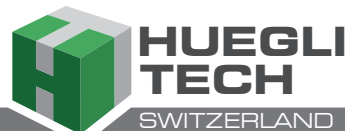
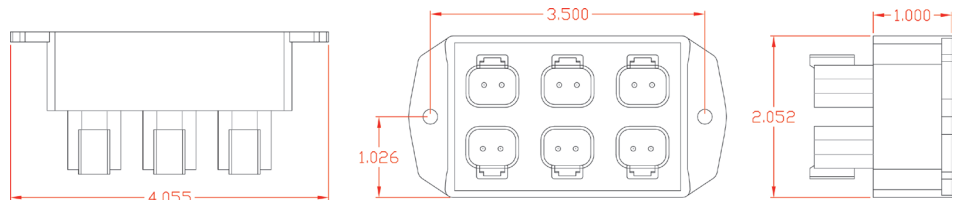
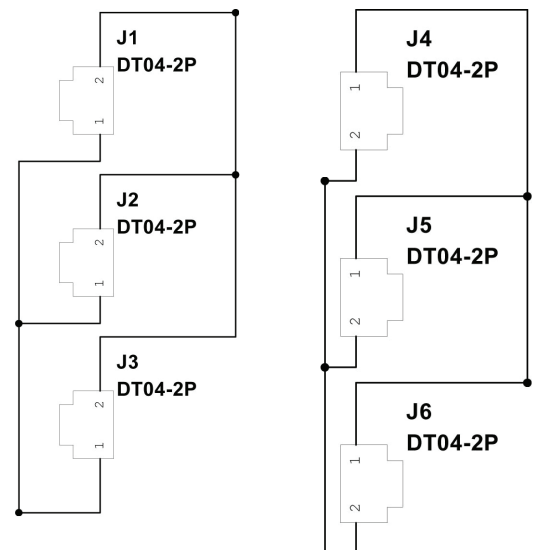
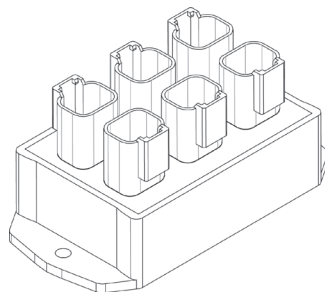
Product Features

- Reduces bus harnessing
- Reduces actual and production costs
- Reduces bus connections increasing quality & durability
- Eases troubleshooting of harnesses
- Potted for a true IP67 rating
- Operating & storage temp. rating -45°C to +85°C
- 6 x DT04-2P Deutsch Connectors / 12 x 2 pin DT (Tin plated pins) / 6 x W2P Green Wedge Locks / 3 x 3 Split Configuration
- Used for Power & Ground Distribution



Power & Ground Bus Splitter V99-0300

This Power & Ground bus splitter provides a cost effective and space efficient way of connecting multiple devices to the Power & Ground bus. This module reduces cost by eliminating Y adapters and extra harnesses typically used to provide additional connections to the bus.



SWITZERLAND

HUEGLI TECH AG (LTD)
Murgenthalstrasse 30
4900 Langenthal Switzerland
Phone: +41 62 916 50 30
Fax: +41 62 916 50 35

e-mail: sales@huegli-tech.com
www.huegli-tech.com