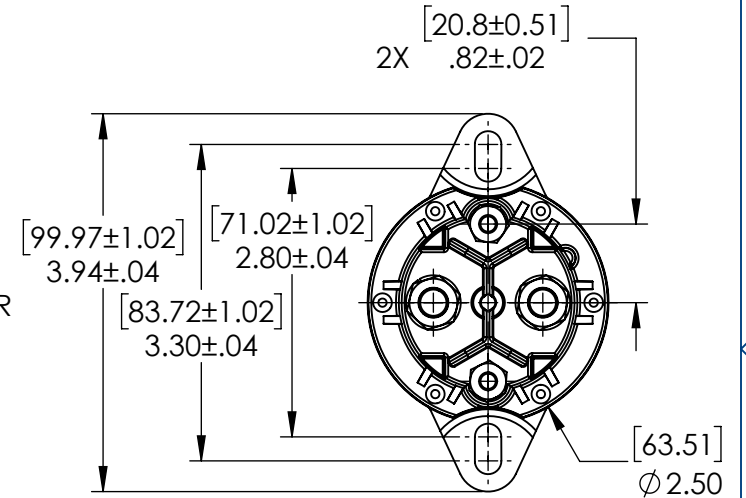
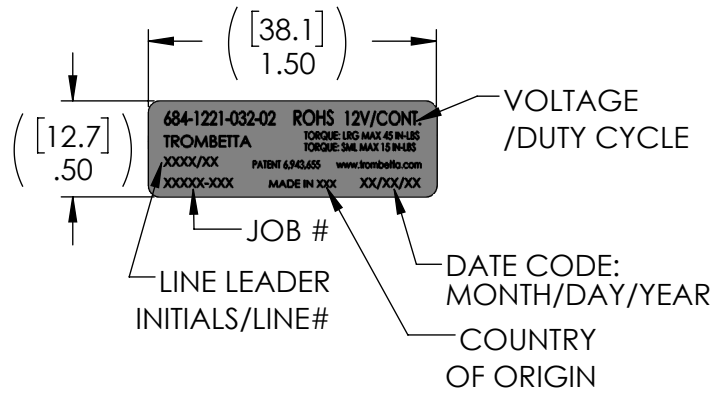
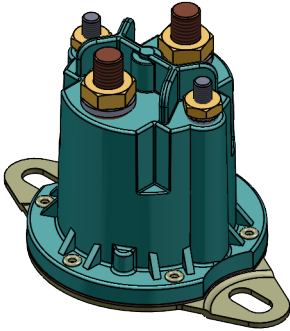
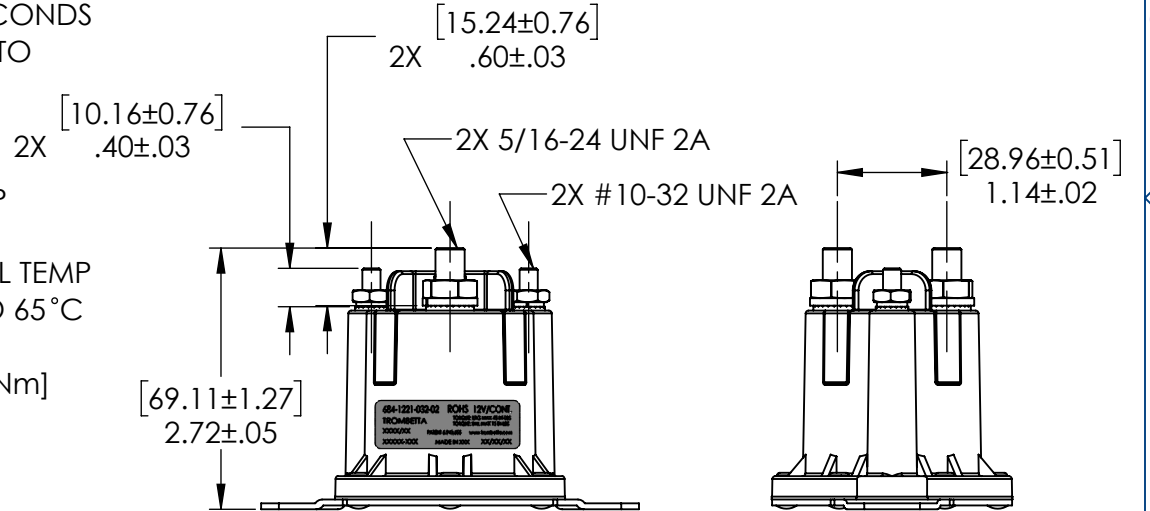


5 4 3 2 1





Ⓑ NOTES:

1. DUTY CYCLE: CONTINUOUS DUTY
2. NOMINAL SYSTEM VOLTAGE: 12V
3. INRUSH CURRENT: 1000A, RISE TIME ≥ 3 MILLISECOND TO 80% OF PEAK INRUSH WITH LINEAR DECAY TO CARRY CURRENT IN ≤ 0.1 SEC
4. CARRY CURRENT: 200A
5. IP LEVEL: IP66 AND IP67
6. MIN PULL-IN VOLTAGE: 9.0V @25°C COIL TEMP
7. MIN HOLD VOLTAGE: 4.5V @25°C COIL TEMP
8. COIL RESISTANCE: 13.5 OHMS ±6% @25°C COIL TEMP
9. AMBIENT OPERATING TEMPERATURE: -40°C TO 65°C
10. LIFE CYCLE: 50K CYCLES
11. MAX CONTACT STUD TORQUE: 45 IN-LBS [5.08Nm]
12. MAX COIL STUD TORQUE: 15 IN-LBS [1.69Nm]
13. CONTACT MATERIAL: SILVER
14. ROHS COMPLIANT
15. REACH COMPLIANT
16. CONFLICT FREE COMPLIANT



DIMENSIONS IN [] ARE mm

						MATERIAL		 684-1221-032-02 DIMENSIONAL ASSEMBLY						
						FINISH								
B ADDED DUAL DIMENSIONS; UPDATED NOTES AJB 8472 06/14/19 DLW						UNLESS OTHERWISE SPECIFIED: BREAK ALL EDGES .005-.015 FILLETS R.010-.020 .XXX±.005 .XX±.01 ANGLES ±1° 125 FINISH		DRAWN CAW		APP DLW		DRAWING NUMBER		REV
								A RELEASE CAW 8307 2/8/19 DLW						NUMBER REVISIONS ARE PROTOTYPE
REV DESCRIPTION BY ECN DATE APP						 CONTROL PLAN REQUIRED								

5 4 3 2 1