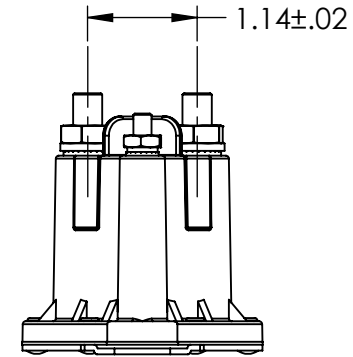
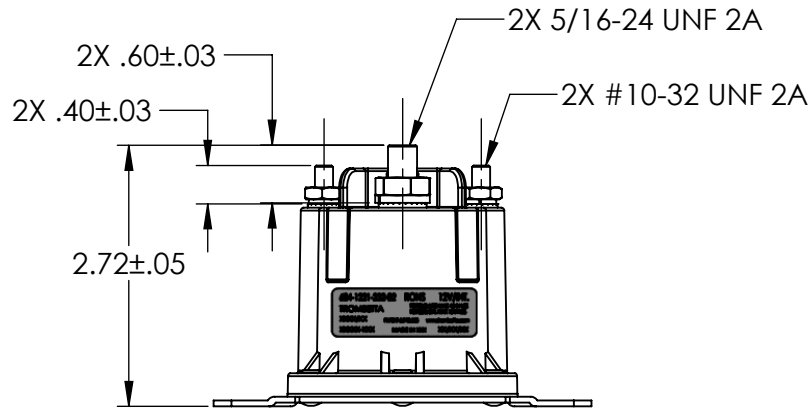
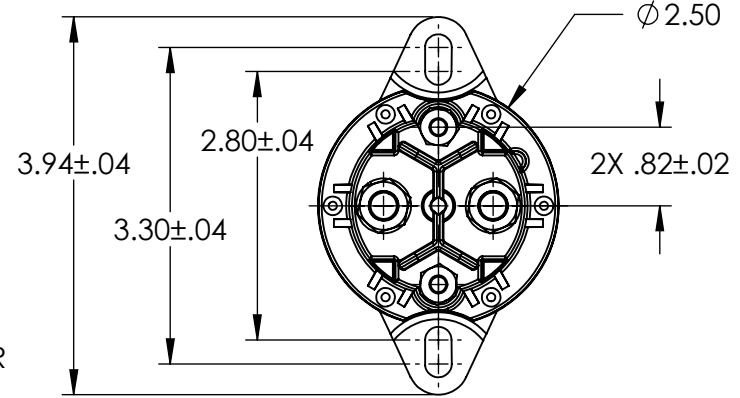
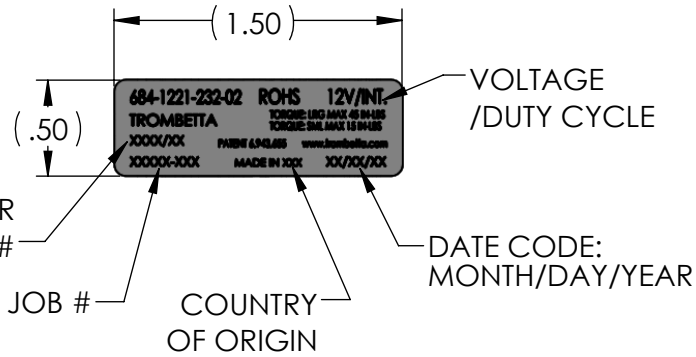


LINE LEADER
INITIALS/LINE#



NOTES:

1. ROHS COMPLIANT
2. REACH COMPLIANT
3. CONFLICT FREE COMPLIANT

A	RELEASE	CAW	8307	2/8/19	DLW
REV	DESCRIPTION	BY	ECN	DATE	APP

MATERIAL					
FINISH					
684-1221-232-02 DIMENSIONAL ASSEMBLY					
UNLESS OTHERWISE SPECIFIED: BREAK ALL EDGES .005-.015 FILLETS R.010-.020 .XXX±.005 .XX±.01 ANGLES ±1° 125 FINISH NUMBER REVISIONS ARE PROTOTYPE					
DATE	2/8/19	SCALE	1:2	DRAWING NUMBER	REV
CONTROL PLAN REQUIRED	PROJECT	E10280		A	