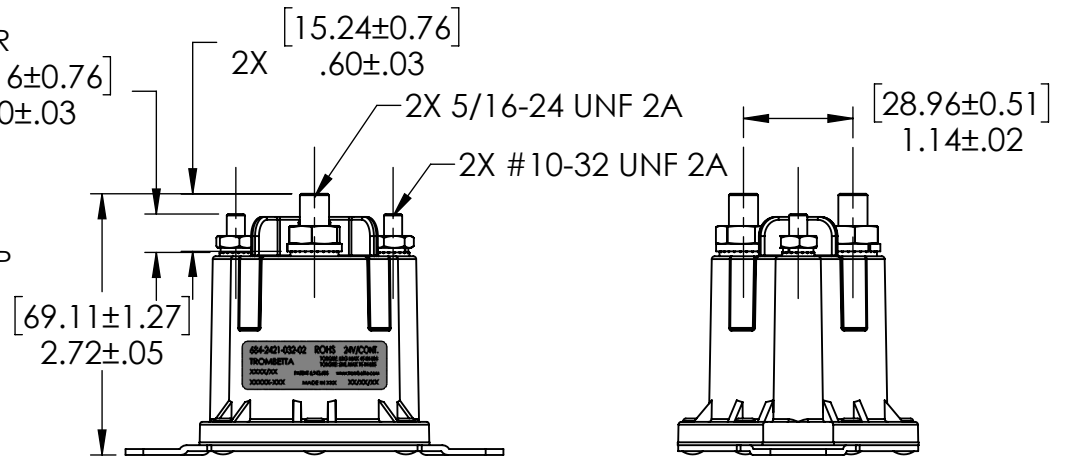


NOTES:

1. DUTY CYCLE: CONTINUOUS DUTY
2. NOMINAL SYSTEM VOLTAGE: 24V
3. INRUSH CURRENT: 1000A, RISE TIME ≥ 3 MILLISECONDS TO 80% OF PEAK INRUSH WITH LINEAR DECAY TO CARRY CURRENT IN ≤ 0.1 SEC
4. CARRY CURRENT: 200A
5. IP LEVEL: IP66 AND IP67
6. MIN PULL-IN VOLTAGE: 18.0V @25°C COIL TEMP
7. MIN HOLD VOLTAGE: 9.0V @25°C COIL TEMP
8. COIL RESISTANCE: 48.0 OHMS ±6% @25°C COIL TEMP
9. AMBIENT OPERATING TEMPERATURE: -40°C TO 65°C
10. LIFE CYCLE: 50K CYCLES
11. MAX CONTACT STUD TORQUE: 45 IN-LBS [5.08Nm]
12. MAX COIL STUD TORQUE: 15 IN-LBS [1.69Nm]
13. CONTACT MATERIAL: SILVER
14. ROHS COMPLIANT
15. REACH COMPLIANT
16. CONFLICT FREE COMPLIANT



DIMENSIONS IN [] ARE mm

B	ADDED DUAL DIMENSIONS; UPDATED NOTES	AJB	8472	06/14/19	DLW
A	RELEASE.	CAW	8202	11/16/18	DLW
REV	DESCRIPTION	BY	ECN	DATE	APP

MATERIAL					
FINISH					
UNLESS OTHERWISE SPECIFIED: BREAK ALL EDGES .005-.015 FILLETS R.010-.020 .XXX±.005 .XX±.01 ANGLES ±1° 125 FINISH		684-2421-032-02 DIMENSIONAL ASSEMBLY			
NUMBER REVISIONS ARE PROTOTYPE					
DATE	11/16/18	SCALE	1:2	DRAWING NUMBER	REV
CONTROL PLAN REQUIRED	PROJECT	E10260		B	