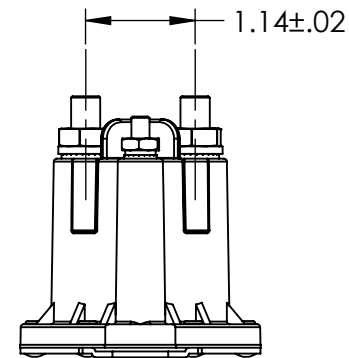
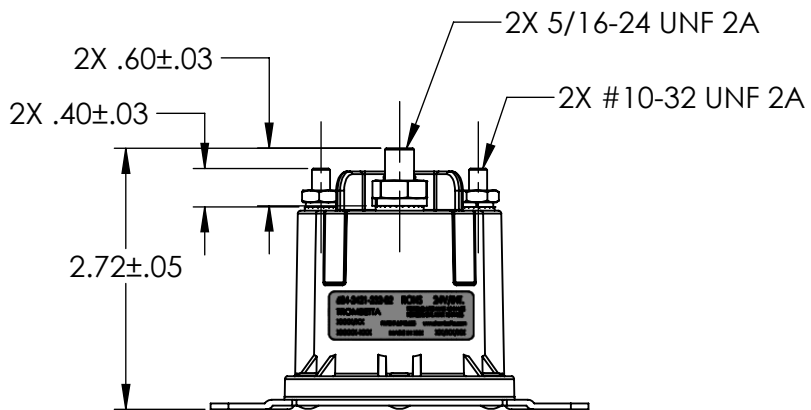
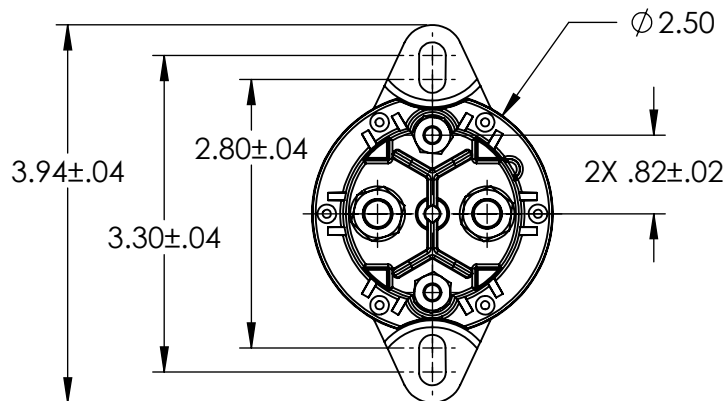
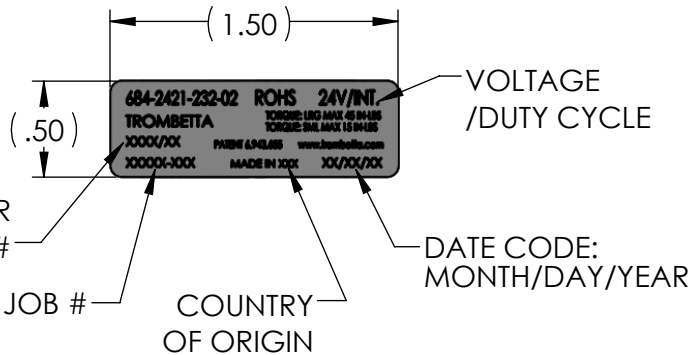



LINE LEADER
INITIALS/LINE#



NOTES:

1. ROHS COMPLIANT
2. REACH COMPLIANT
3. CONFLICT FREE COMPLIANT

MATERIAL		 684-2421-232-02 DIMENSIONAL ASSEMBLY			
FINISH					
UNLESS OTHERWISE SPECIFIED: BREAK ALL EDGES .005-.015 FILLETS R.010-.020 .XXX±.005 .XX±.01 ANGLES ±1° 125 FINISH NUMBER REVISIONS ARE PROTOTYPE					
DRAWN CAW DATE 2/8/19	APP DLW SCALE 1:2	DRAWING NUMBER E10281	REV A		

A	RELEASE	CAW	8307	2/8/19	DLW
REV	DESCRIPTION	BY	ECN	DATE	APP