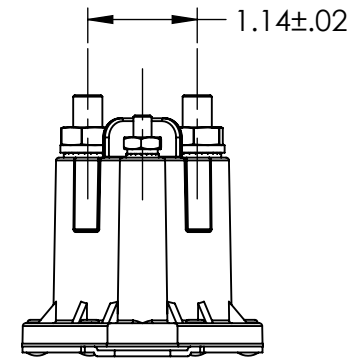
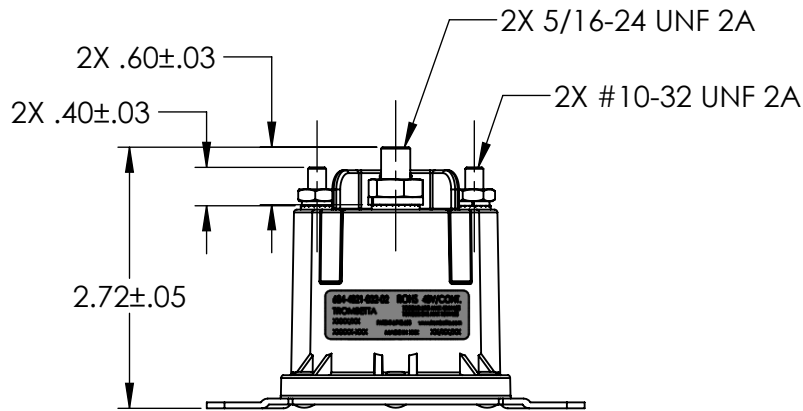
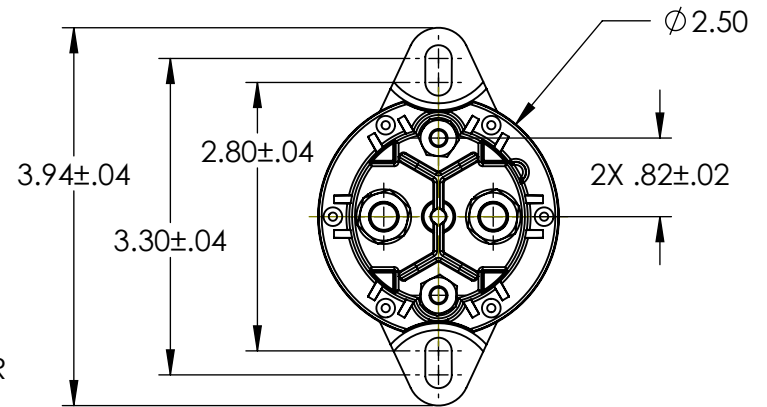
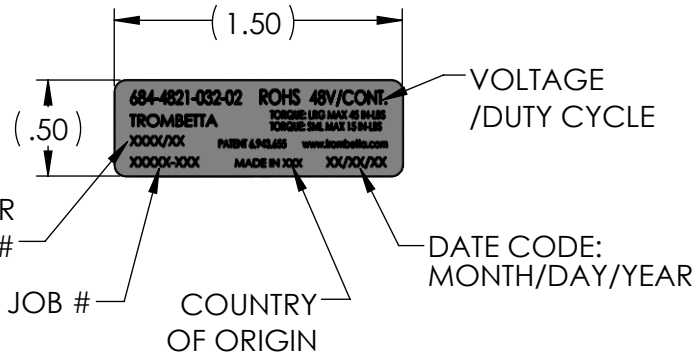


LINE LEADER
INITIALS/LINE#




NOTES:

1. ROHS COMPLIANT
2. REACH COMPLIANT
3. CONFLICT FREE COMPLIANT

A	RELEASE	CAW	8333	3/12/19	DLW
REV	DESCRIPTION	BY	ECN	DATE	APP

MATERIAL	
FINISH	
UNLESS OTHERWISE SPECIFIED: BREAK ALL EDGES .005-.015 FILLETS R.010-.020 .XXX±.005 .XX±.01 ANGLES ±1° 125 FINISH	
NUMBER REVISIONS ARE PROTOTYPE	
CONTROL PLAN REQUIRED	PROJECT

			
<p>684-4821-032-02</p> <p>DIMENSIONAL ASSEMBLY</p>			
DRAWN CAW	APP DLW	DRAWING NUMBER	REV
DATE 3/12/19	SCALE 1:2	E10291	A

D
C
B
A

D
C
B
A

5

4

3

2

1

5

4

3

2

1