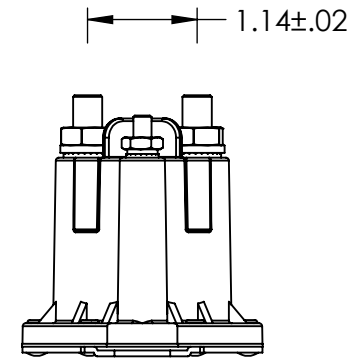
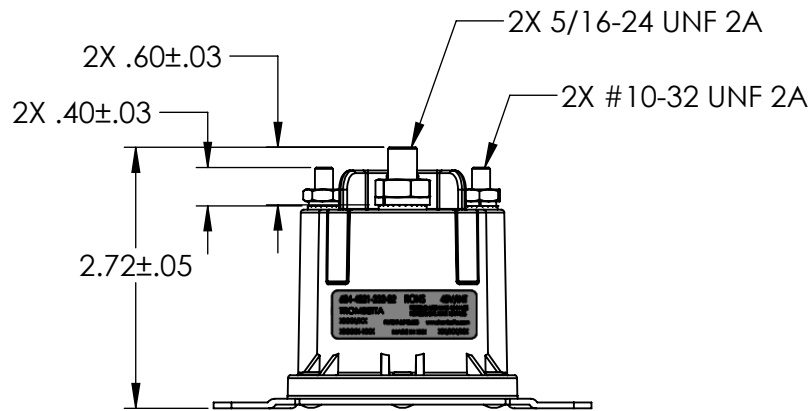
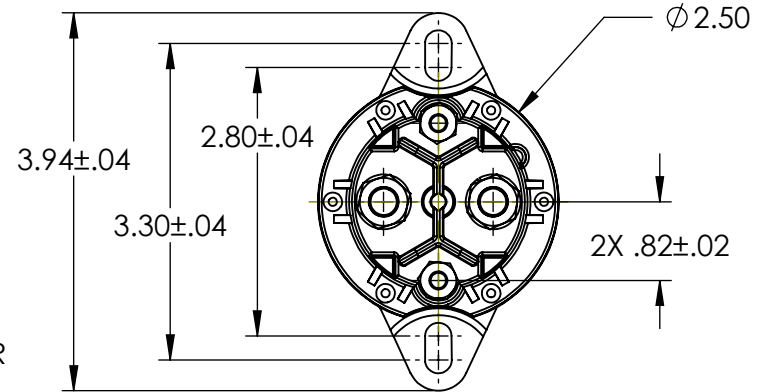
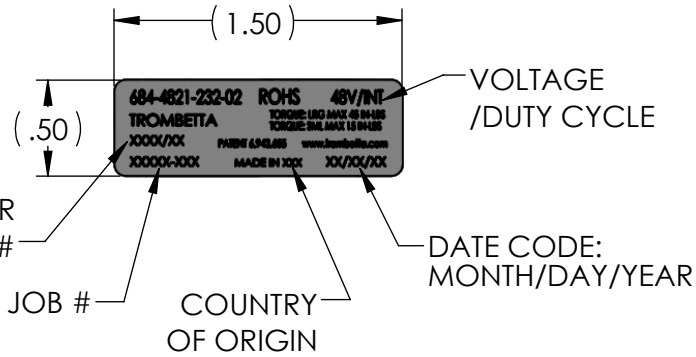



LINE LEADER
INITIALS/LINE#



NOTES:

1. ROHS COMPLIANT
2. REACH COMPLIANT
3. CONFLICT FREE COMPLIANT

A	RELEASE	CAW	8307	2/8/19	DLW
REV	DESCRIPTION	BY	ECN	DATE	APP

MATERIAL		 684-4821-232-02 DIMENSIONAL ASSEMBLY			
FINISH					
UNLESS OTHERWISE SPECIFIED: BREAK ALL EDGES .005-.015 FILLETS R.010-.020 .XXX±.005 .XX±.01 ANGLES ±1° 125 FINISH NUMBER REVISIONS ARE PROTOTYPE					
CONTROL PLAN REQUIRED		PROJECT		DATE	REV
				2/8/19	A
				SCALE 1:2	DRAWING NUMBER
					E10283

5

4

3

2

1

B

B

C

C

B

B

A

A

5

4

3

2

1