

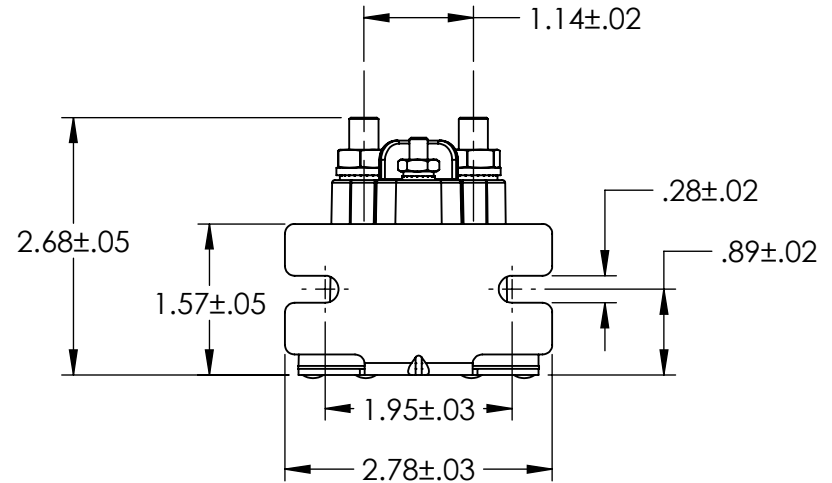
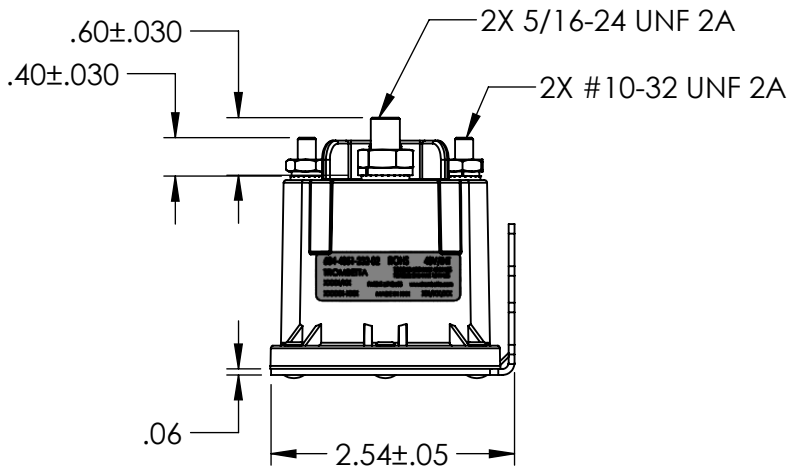
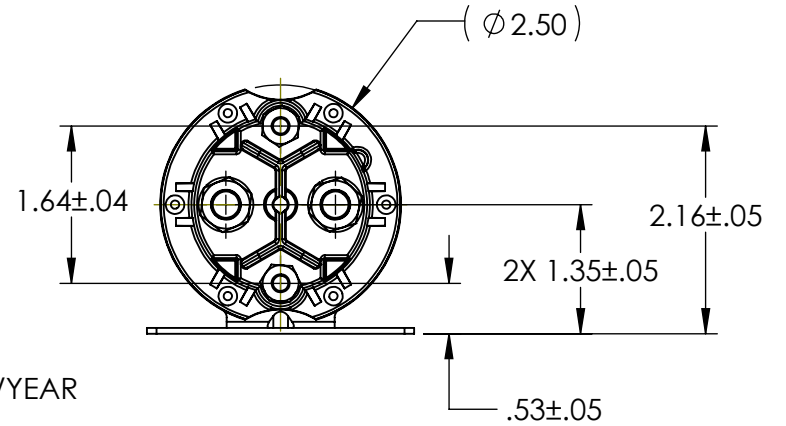
LINE LEADER
INITIALS/LINE#

JOB #

VOLTAGE
/DUTY CYCLE

DATE CODE:
MONTH/DAY/YEAR


COUNTRY
OF ORIGIN



- NOTES:
1. ROHS COMPLIANT
2. REACH COMPLIANT
3. CONFLICT FREE COMPLIANT

A	RELEASE	CAW	8239	12/18/18	DLW
REV	DESCRIPTION	BY	ECN	DATE	APP

MATERIAL	
FINISH	
UNLESS OTHERWISE SPECIFIED: BREAK ALL EDGES .005-.015 FILLETS R.010-.020 .XXX±.005 .XX±.01 ANGLES ±1° 125 FINISH	
NUMBER REVISIONS ARE PROTOTYPE	
CONTROL PLAN REQUIRED	PROJECT

			
684-4851-232-02 DIMENSIONAL ASSEMBLY			
DRAWN CAW	APP DLW	DRAWING NUMBER	REV
DATE 12/18/18	SCALE 1:1	E10267	A