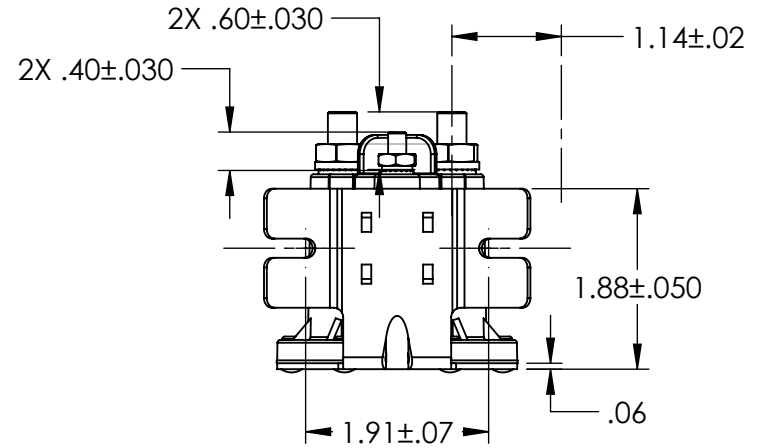
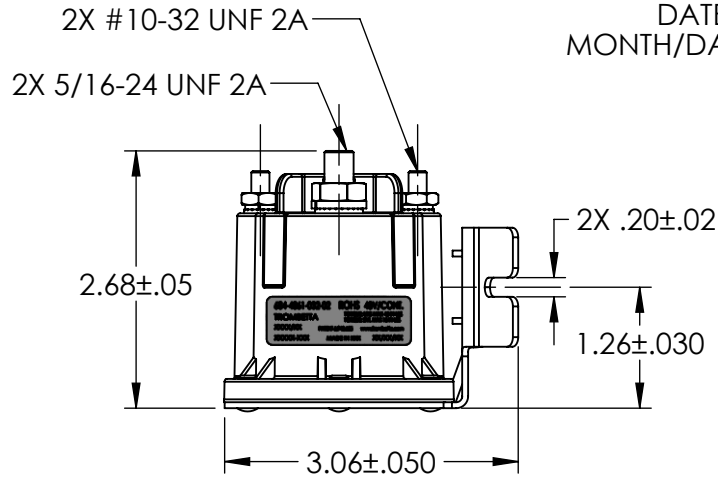
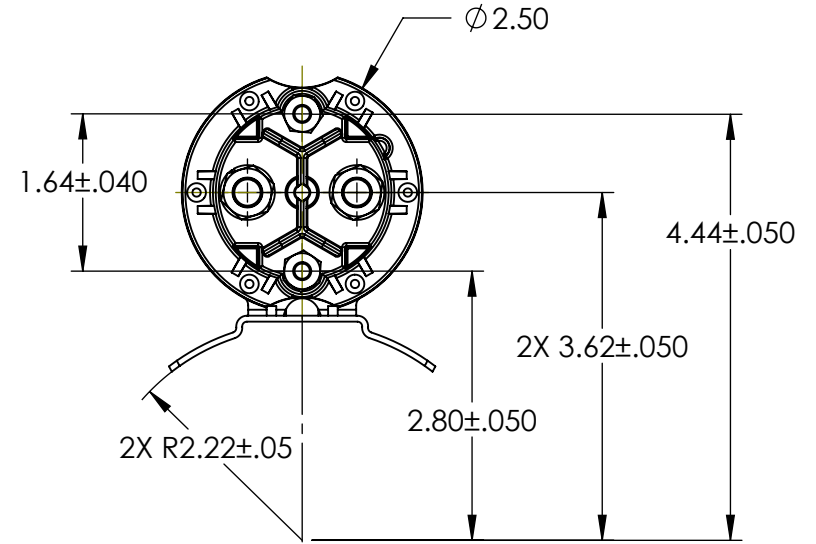
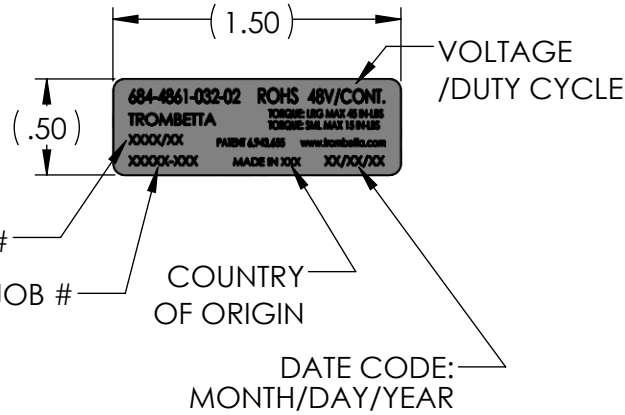



- NOTES:
 1. ROHS COMPLIANT
 2. REACH COMPLIANT
 3. CONFLICT FREE COMPLIANT



MATERIAL			
FINISH			
UNLESS OTHERWISE SPECIFIED: BREAK ALL EDGES .005-.015 FILLETS R.010-.020 .XXX±.005 .XX±.01 ANGLES ±1° 125 FINISH NUMBER REVISIONS ARE PROTOTYPE		684-4861-032-02 DIMENSIONAL ASSEMBLY	
DRAWN CAW DATE 3/12/19	APP DLW SCALE 1:2	DRAWING NUMBER E10292	REV A

A	RELEASE	CAW	8333	3/12/19	DLW
REV	DESCRIPTION	BY	ECN	DATE	APP

