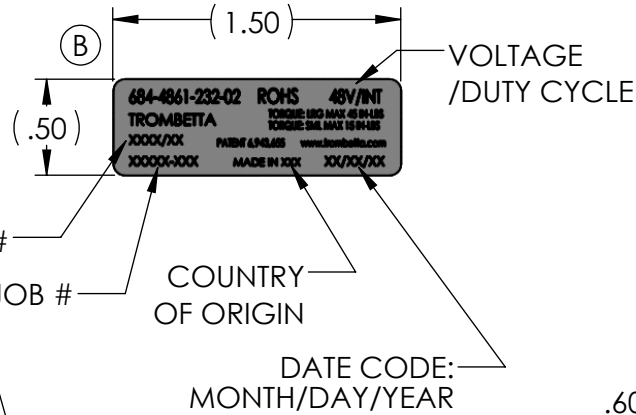


- NOTES:
 1. ROHS COMPLIANT
 2. REACH COMPLIANT
 3. CONFLICT FREE COMPLIANT



LINE LEADER
 INITIALS/LINE#

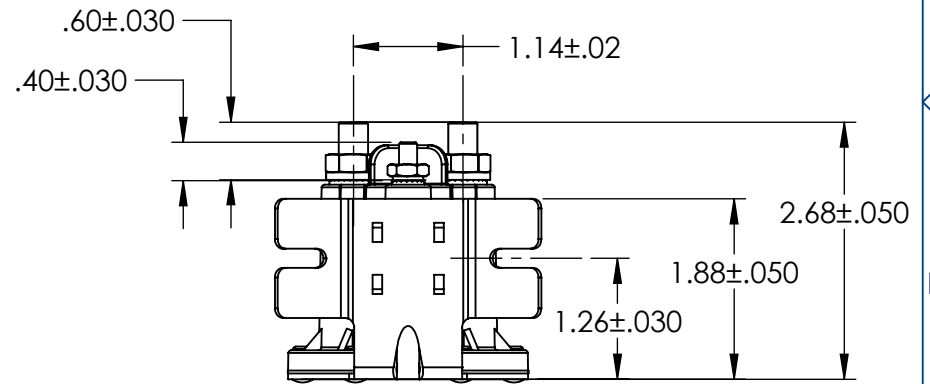
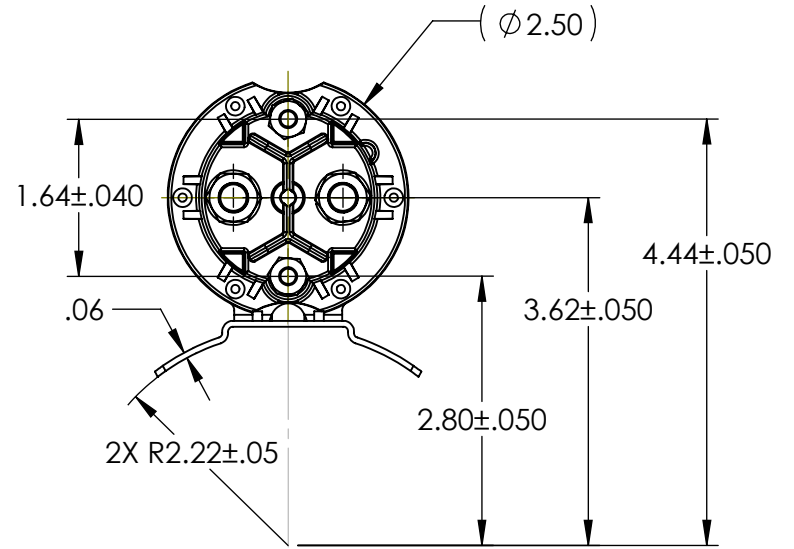
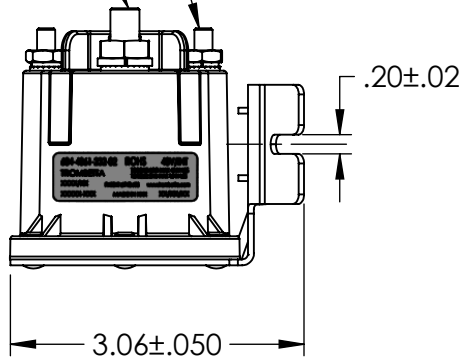
JOB #

COUNTRY OF ORIGIN

DATE CODE:
 MONTH/DAY/YEAR


2X #10-32 UNF 2A

2X 5/16-24 UNF 2A



C	UPDATED MODEL TO SHOW NEW HOUSING D05101	CAW	8238	12/1/18	DLW
B	UPDATED TO REPRESENT 48V	CAW	7935	3/8/18	DLW
A	RELEASE	CAW	7718	3/7/17	DLW
REV	DESCRIPTION	BY	ECN	DATE	APP

MATERIAL	
FINISH	
UNLESS OTHERWISE SPECIFIED: BREAK ALL EDGES .005-.015 FILLETS R.010-.020 .XXX±.005 .XX±.01 ANGLES ±1° 125 FINISH NUMBER REVISIONS ARE PROTOTYPE	
CONTROL PLAN REQUIRED	PROJECT



684-4861-232-02
DIMENSIONAL ASSEMBLY

DRAWN CAW	APP DLW	DRAWING NUMBER	REV
DATE 3/7/17	SCALE 1:1	E09971	C

5

4

3

2

1

A

B

C

D

A

B

C

D