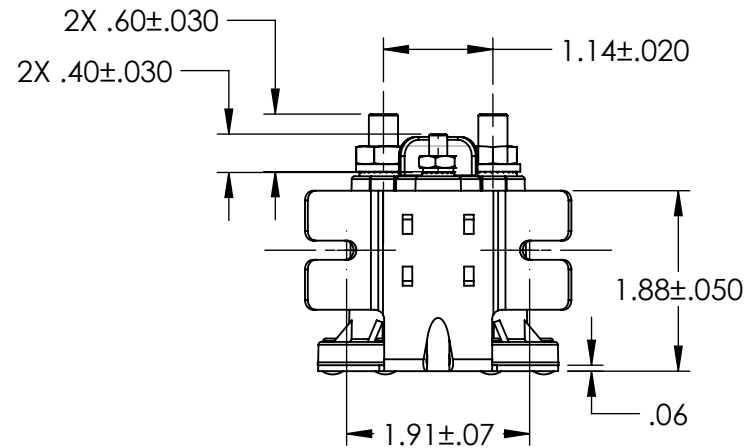
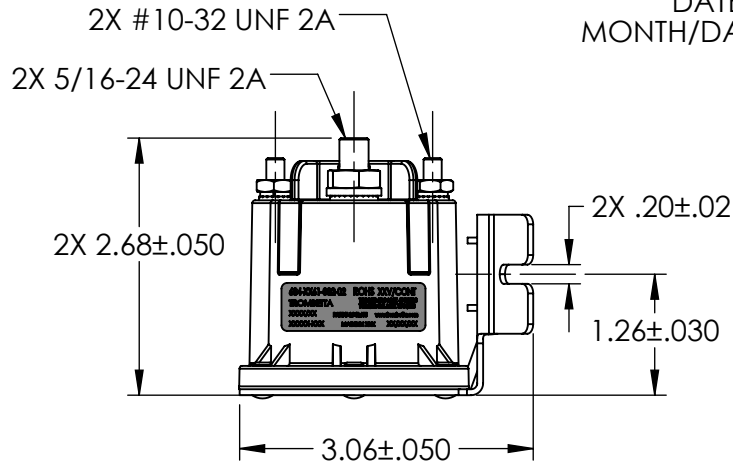
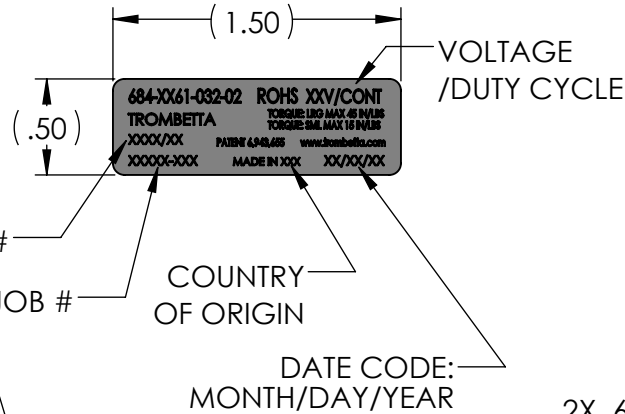
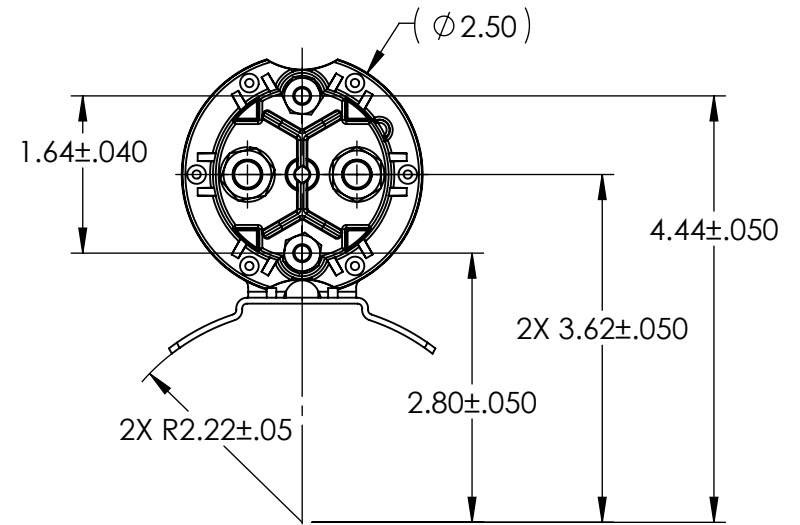



- NOTES:  
 1. ROHS COMPLIANT  
 2. REACH COMPLIANT  
 3. CONFLICT FREE COMPLIANT



						MATERIAL		 684-XX61-032-02 DIMENSIONAL ASSEMBLY				
						FINISH						
						UNLESS OTHERWISE SPECIFIED: BREAK ALL EDGES .005-.015 FILLETS R.010-.020 .XXX±.005 .XX±.01 ANGLES ±1° 125 FINISH		DRAWN CAW		APP DLW	DRAWING NUMBER	REV
												NUMBER REVISIONS ARE PROTOTYPE
A RELEASE		CAW	7956	3/26/18	DLW							CONTROL PLAN REQUIRED
REV DESCRIPTION		BY	ECN	DATE	APP							