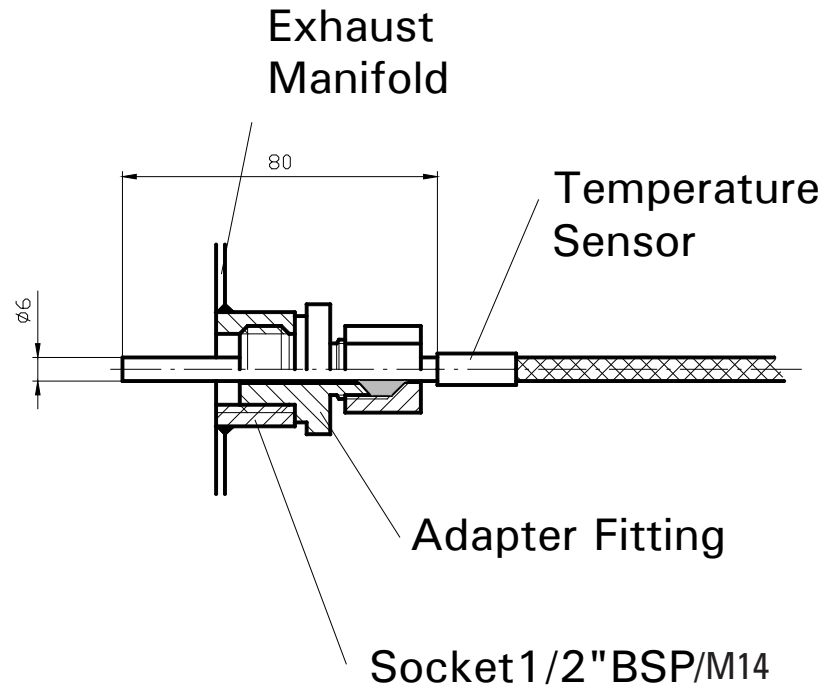


Exhaust Temperature Sensor

Specifications

- Sensor type: Thermocouple
1 NiCr-Ni K
- Max. Temperature: 1000 °C
- Diameter: 6 mm
- Length: TBD
(customer specified)
- Material (jacket): Inconel 600
- Cable length: 1.5 m
- Adapter fitting: Stainless steel 316L
- Output Voltage in mV for NiCr-Ni, Type K



THERMOELEMENT K-TYPE

Thermocouple is a sensor used to measure temperature using voltage.

There are many types of Thermocouple, each with its own unique characteristics in terms of temperature range; durability, vibration resistance, chemical resistance and application compatibility.

Type K; J; T; N & E are "Base Metal" thermocouples, the most common and inexpensive types of thermocouple where ranges can be from -200 to 1350° C.

Type R; S; B & C are "Noble Metal" thermocouples; which are used in high temperature application where range can be from 0 - 1700° C.

Local Distributor / Partner:



HUEGLI TECH AG (LTD)
Murgenthalstrasse 30
4900 Langenthal Switzerland
Phone: +41 62 916 50 30
Fax: +41 62 916 50 35

e-mail: sales@huegli-tech.com
www.huegli-tech.com