

# Pressure Transducer

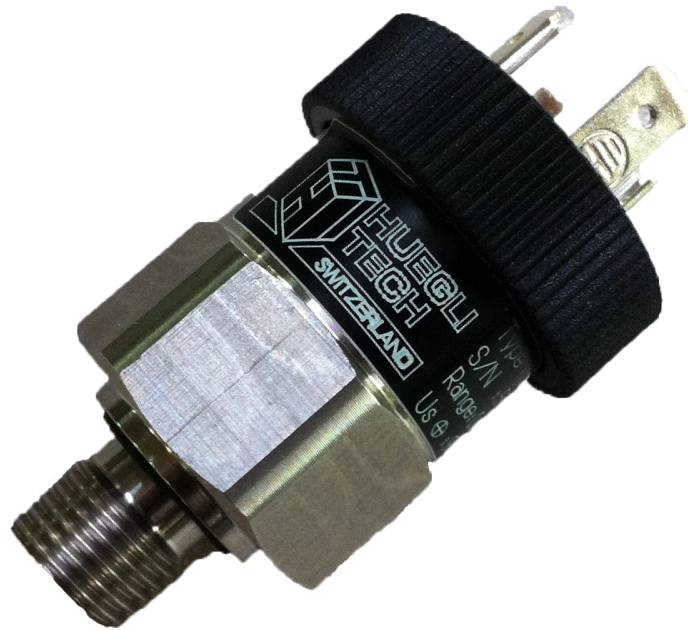
HT-DTM-8473 0-2.5bar Absolut

## Main features

- Measuring ranges 0...2.5 bar
- All standard signals for industry, hydraulics and pneumatics
- Temperature range of media -40°C to 125°C
- Shock 50g/8ms
- Vibration 4g
  
- No internal transmission media (fully welded, "dry" measuring cell)
- Protection class IP65
  
- Compact and rugged model in stainless steel
- High flexibility for options thanks to modular design
- Plug systems MVS/A acc. to DIN EN 175301-803 A, MVS/C acc. to DIN EN 175301-803 E,

## Applications

- generally to be used in industrial applications
- Hydraulics
- Pneumatics
- Engineering
- Industrial Equipment and Automation technology



## Pressure transducer for industrial application

Thanks to its stainless steel membrane and to its semiconductor thin-film technology, the transducer has excellent properties that suggest its advantageous use in most industrial applications.

Its robust design guarantees high reliability even in very rugged conditions. Its modular design permits cost-effective production, also in small batches, and offers a multitude of signal, thread and connecting options that can be supplied within very short time.

### Specification

#### Pressure

Pressure Range	0..2.5
Over Pressure	5
Burst Pressure	7.5
Thread size	G 1/4

#### Electrical Data

Output / supply voltage	4...20 mA, 24(9...30) VDC
	0...5 VDC: 24(10...30) VDC
	1...6 VDC: 24(10...30) VDC
	0...10 VDC: 24(15...30) VDC
	0.5...4.5 VDC: 5 VDC ratiom.
Rise Time	Typ. 1 ms/ 10...90% nominal pressure
Switch-on-delay	Max. 1.5 s

#### Environmental conditions

Media Temperature	-25°C...+125°C
Ambient Temperature	-25°C...+85°C
Protection	Min. IP65
Humidity	Max. 95% relative
Vibration	4g(10...200Hz)
Shock	50g/ 8 ms

#### EMP Protection

Emission	EN/IEC 61000-6-3
Immunity	EN/IEC 61000-6-2

#### Mechanical Data

Sensor	Ceramic, Al <sub>2</sub> O <sub>3</sub> (96%)
Housing / Pressure connection	54/84: 1.4305 (AISI303)
	56/86: 1.4404/1.4435 (AISI316L)
	50/80: 1.4462 (AISI318LN)
	51/81: Titanium Grade 5
Sealing	FKM 70sh
	CR, EPDM
Weight	~110g
Mounting torque	15...20Nm

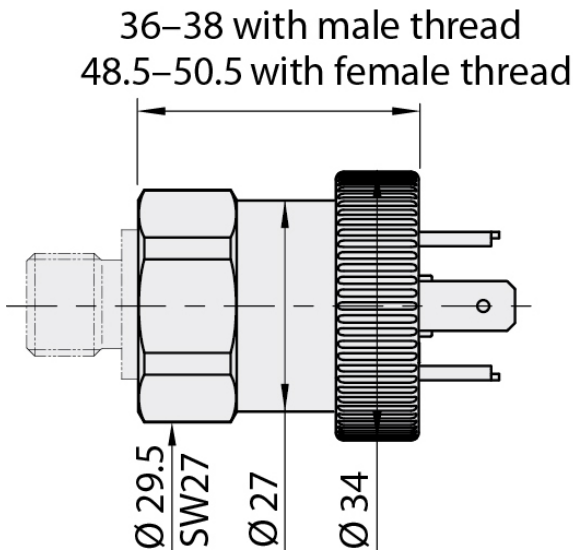
# Pressure Transducer

HT-DTM-8473 0-2.5bar Absolut

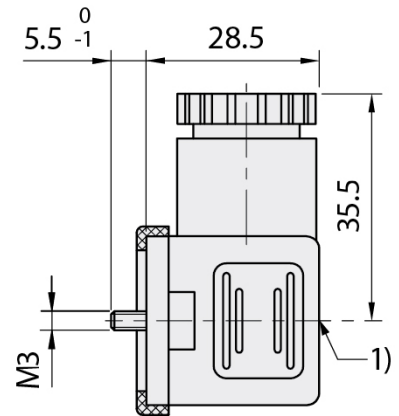
## Accuracy

Pressure measuring range	bar	>0...0.4	0...0.2	0...0.1
	psi	>0...5	0...0.4	0...0.16
TEB @ -25...+85°C	[% FS typ.]	± 1.0	± 2.5	± 3.0
Accuracy @ +25°C	[% FS typ.]	± 0.3	± 0.5	± 1.0
NLH @ +25°C (BSL)	[% FS typ.]	± 0.2	± 0.3	± 0.3
TC zero pint and span	[% FS/K typ.]	± 0.02	± 0.02	± 0.02
Long term stability 1 year @ +25°C	[% FS typ.]	± 0.2	± 0.2	± 0.2

## Dimensions



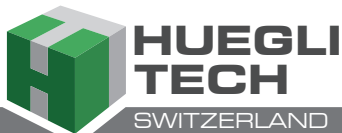
## Mating connector: EC-1120-4



1) Tightening torque 50...60Ncm

8473.XX.XXXX.XX.XX.58

Local Distributor / Partner:



HUEGLI TECH AG (LTD)  
Murgenthalstrasse 30  
4900 Langenthal Switzerland  
Phone: +41 62 916 50 30  
Fax: +41 62 916 50 35

e-mail: [sales@huegli-tech.com](mailto:sales@huegli-tech.com)  
[www.huegli-tech.com](http://www.huegli-tech.com)