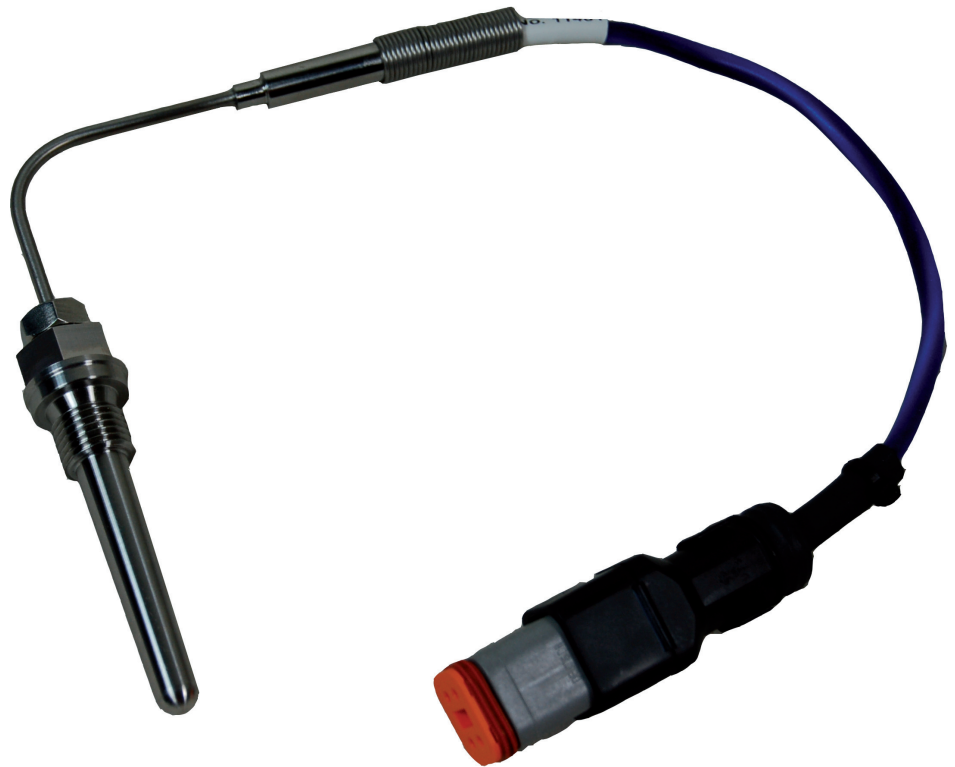


Exhaust Temperature Sensor

Specifications

- Art. Number: HT-TC-60
- Suitable for MAN gas Engines
- Sensor type: K-Typ NiCr-Ni K
- Max. Temperature: 1000 °C
- Material (jacket): Inconel 600
- Cable length: 25 cm
- Adapter fitting: Stainless steel 316L
- Output Voltage in mV for NiCr-Ni, Type K



HT-TC-60 - THERMOELEMENT K-TYPE

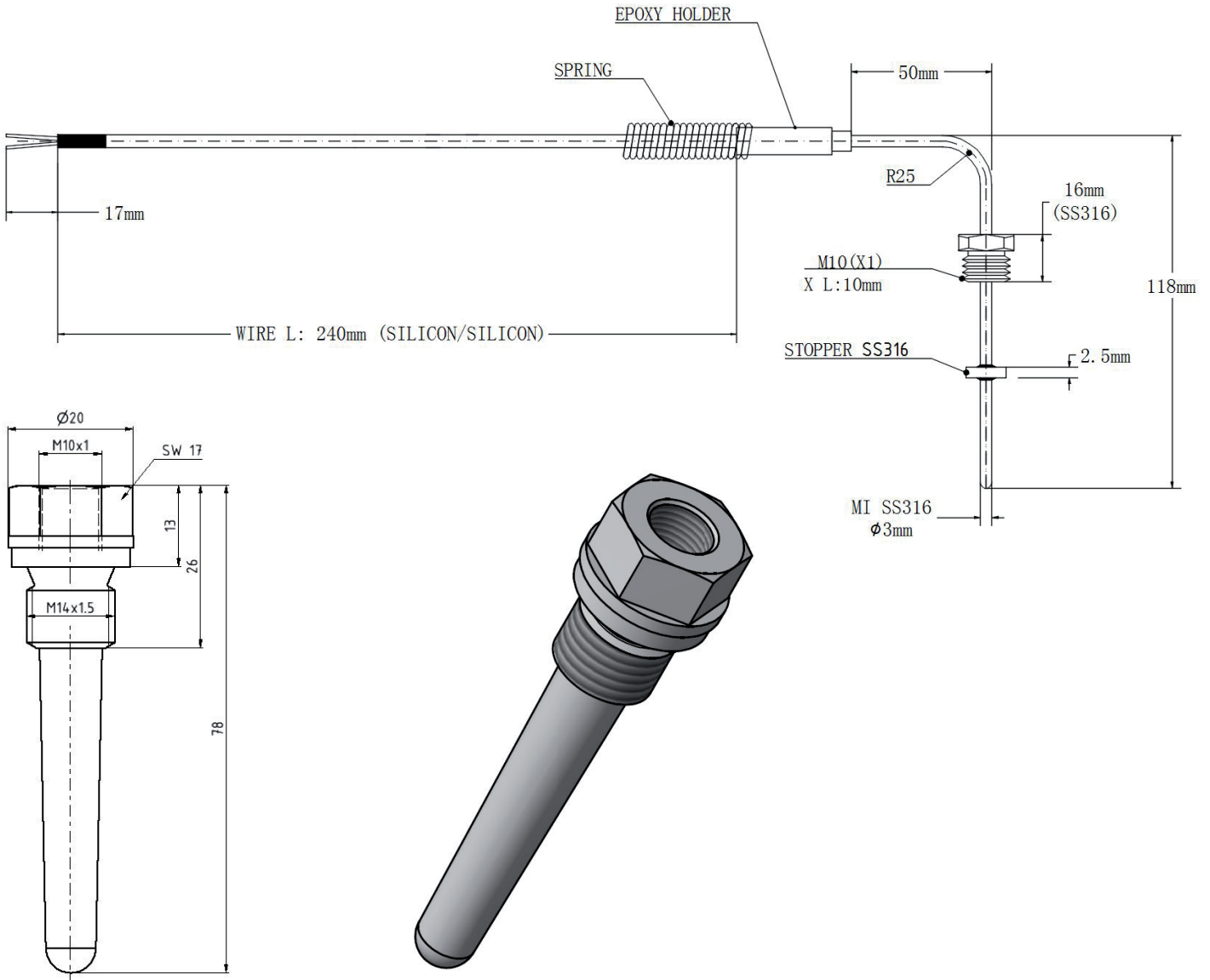
Thermocouple is a sensor used to measure temperature using voltage.

There are many types of Thermocouple, each with its own unique characteristics in terms of temperature range; durability, vibration resistance, chemical resistance and application compatibility.

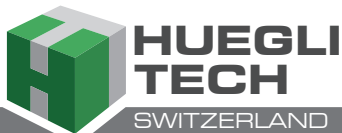
Type K; J; T; N & E are "Base Metal" thermocouples, the most common and inexpensive types of thermocouple where ranges can be from -200 to 1350° C.

Type R; S; B & C are "Noble Metal" thermocouples; which are used in high temperature application where range can be from 0 - 1700° C.

Dimensions



Local Distributor / Partner:



HUEGLI TECH AG (LTD)
Murgenthalstrasse 30
4900 Langenthal Switzerland
Phone: +41 62 916 50 30
Fax: +41 62 916 50 35

e-mail: sales@huegli-tech.com
www.huegli-tech.com