

Thermostatic Valves

Model 1011

Including:

Two-Way

1011	1" NPT
1111	3/4" NPT
1211	1/2" NPT
1411	1 1/4" NPT
1511	1 1/4" NPT
	1010

Features and Benefits

- Wide range of temperatures
- Heavy duty
- Self-contained
- Replaceable element
- Non-adjustable
- Rugged construction
- Tamper-proof
- Operate in any position
- Compact



Manufactured by:



Fluid Power Energy Inc

Compact, reliable temperature control

Fluid Power Energy (FPE) thermostatic valves use the principle of expanding wax, which in the semi-liquid state undergoes large expansion rates within a relatively narrow temperature range. The self-contained element activates a brass or nickel plated sleeve, which directs flow. All FPE thermostatic valves are factory set at predetermined temperatures: no further adjustments are necessary. A wide range of temperatures are available for city or treated water temperature control applications.

On start-up, a majority of the fluid flow is blocked by a sleeve. A small amount will flow through the weep hole to the drain. As fluid temperature rises to the control range, more of the fluid is directed to the drain, and when the thermostat is in a fully stroked condition, all fluid flow is directed to the drain. This FPE valve is designed for use in water saver applications.

Standard FPE Thermostatic Valve Housings are made from aluminum and grey iron castings; however, ductile iron, bronze, steel and stainless steel housings are available.

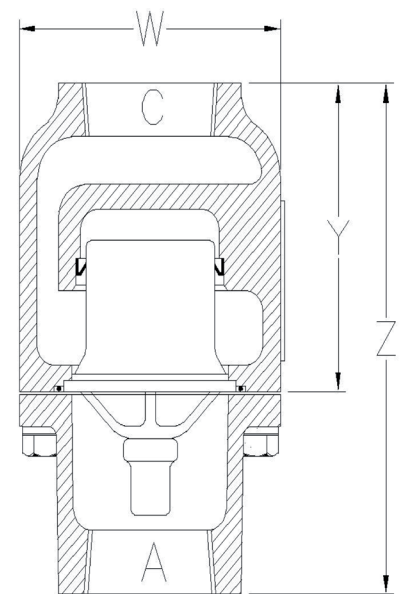
Optional 1011 features: High over temperature element, plated element. Other options available upon request.

Specification

Model Number	Body Material (*)	Nominal Pipe Size	Principal Dimensions Units - inches (mm)				Max. width in other plane	Flange Drilling			No. of elements	Approx. shipping weight
			"X"	"Y"	"W"	"Z"		No. of holes	Dia. of holes	Bolt circle		
*1011	A, AL, B, D, S, SS	1" NPT	N/A	3 5/8 (92.08)	3 3/4 (92.25)	6 (152.40)	3 3/4 (95.25)	N/A	N/A	N/A	1	A=6.5#, AL=3#, B=8.5#, D=6.5# S & SS=7#
*1111	A, AL, B, D, S, SS	3/4" NPT	N/A	3 5/8 (92.08)	3 3/4 (92.25)	6 (152.40)	3 3/4 (95.25)	N/A	N/A	N/A	1	A=6.5#, AL=3#, B=8.5#, D=6.5# S & SS=7#
*1211	A, AL, B, D, S, SS	1/2" NPT	N/A	3 5/8 (92.08)	3 3/4 (92.25)	6 (152.40)	3 3/4 (95.25)	N/A	N/A	N/A	1	A=6.5#, AL=3#, B=8.5#, D=6.5# S & SS=7#
*1411	A, AL, B, D, S, SS	1 1/4" NPT	N/A	3 5/8 (92.08)	3 3/4 (92.25)	6 (152.40)	3 3/4 (95.25)	N/A	N/A	N/A	1	A=6.5#, AL=3#, B=8.5#, D=6.5# S & SS=7#
*1511	A, AL, B, D, S, SS	1 1/2" NPT	N/A	3 5/8 (92.08)	3 3/4 (92.25)	6 (152.40)	3 3/4 (95.25)	N/A	N/A	N/A	1	A=6.5#, AL=3#, B=8.5#, D=6.5# S & SS=7#

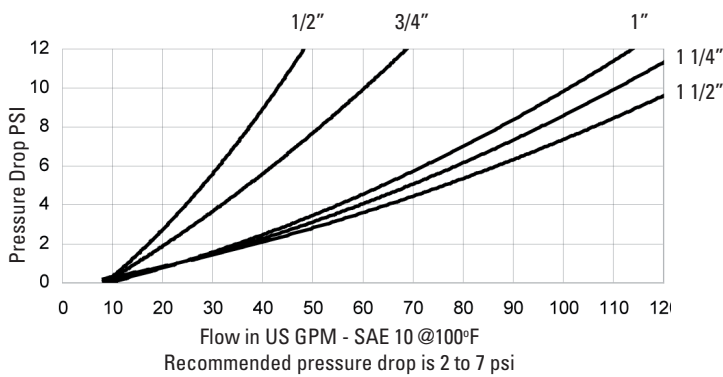
* Replace * with body material type: A= Cast Iron, AL= Aluminium, B = Bronze, D= Ductile Iron, S=Steel, SS= Stainless Steel. For port sizes not shown consult factory.

Pressure Ratings	
Material	PSI
A, AL, B	150
D	250
S, SS	500



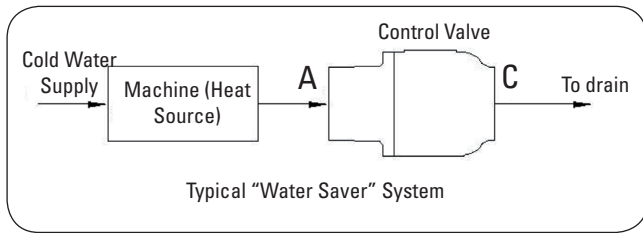
All Models

Flow vs. Pressure Drop



Thermostatic Valves

Model 1011



Spare Parts

Part Number	Description
*1011	Valve body (*See table for material)
*1040	Valve cover (*See table for material)
1572**	O-ring (Standard material is Buna N)
1571	Lip seal
1560-Temp	Thermostat (Temp to follow dash)
1600	Hex bolt
1601	Lock washer
1590	Nameplate
FPE Model 1500*	Replacement kit (includes the following:)
1572	O-ring (Standard material is Buna N)
1571	Lip seal
1560-Temp	Thermostat (Temp to follow dash)
(For Viton* (V) or Neoprene (E) O-ring material, replace ** with V or E) Viton® is a registered trademark of Dupont Dow Elastomers	

Local Distributor / Partner:



HUEGLI TECH AG (LTD)
Murgenthalstrasse 30
4900 Langenthal Switzerland
Phone: +41 62 916 50 30
Fax: +41 62 916 50 35

e-mail: sales@huegli-tech.com
www.huegli-tech.com