

Benefits:

- Small High Power Coil
- IP 68 Rating
- Low Energy consumption
- High Reliability
- For all applications



Small High Power Ignition Coil

The ignition system is an important part for gas engines. Reliability, precise firing, timing and endurance is expected from an ignition system. This is what Huegli Tech stands for. Engineering has designed a high power coil which can be used in all applications e.g. Natural Gas, Bio Gas, Syn Gas or others.

Energy level

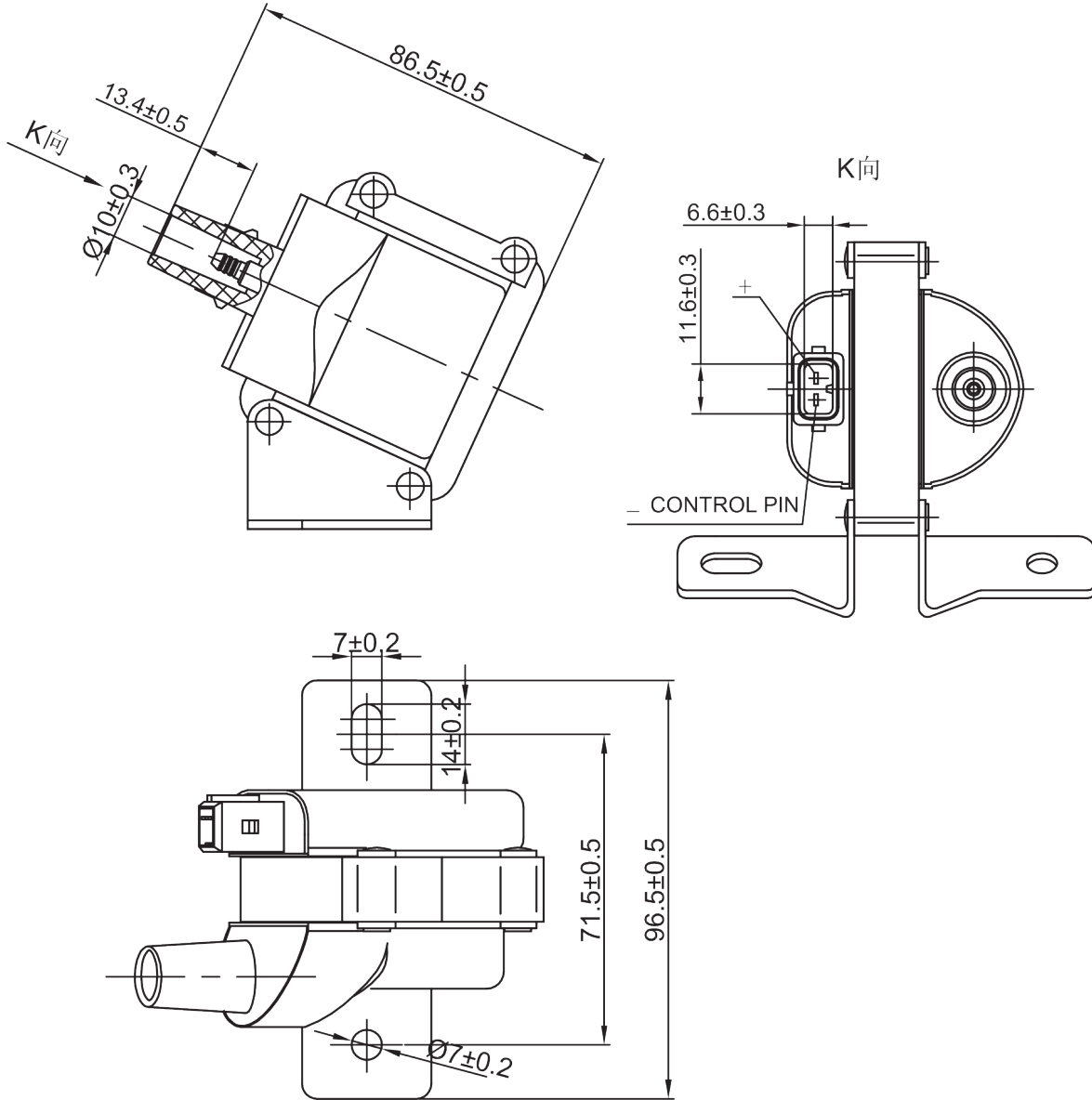
Combined with the HT-LEF-100 ignition system, the output of the coil can reach up to 32kV.

Complete combustion

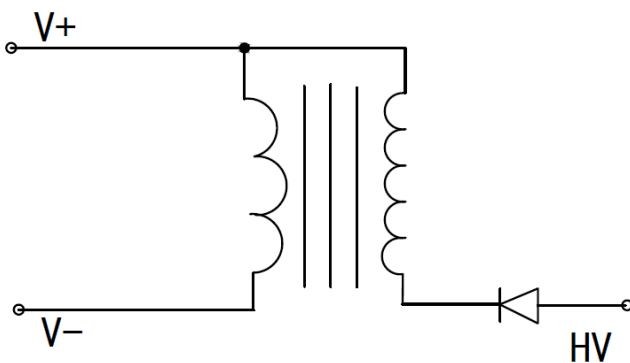
Due to the adjustable dwell timing, the spark firing time can be up to 1.5ms which allows for complete combustion with low calorific valued gas.

Technical Specification

Dimensions:



Circuit Diagram:



Electrical Specifications

Primary Resistance(t=20oC).....0.53 ± 15% Ω
Primary Inductance(t=20oC).....4 ± 15% mH
Secondary resistance.....12+/-20% Kohm
Secondary inductance.....25+/-15% H.
Supported Input Voltage Range.....
.....12 to 24Vdc Supply

Operating Temperature.....-40°C-120°C
International Protection Rating.....IP68

Output Voltage (Under Following Conditions):

- Input voltage : 14V
- Dwell Time: 4ms
- Load : 50 pF
- Uout: up to 32 ± 10% KV
- Spark Energy: 81± MJ @12VDC
- Primary Current: 7.3 ± 0.5A

Local Distributor / Partner:



HUEGLI TECH AG (LTD)
Murgenthalstrasse 30
4900 Langenthal Switzerland
Phone: +41 62 916 50 30
Fax: +41 62 916 50 35

e-mail: sales@huegli-tech.com
www.huegli-tech.com