

Rotary Actuator

HT-TM2200-75-E4

Benefits:

- Compact size
- Precise engine speed control
- -40°C - +85°C
- Integrated Feedback
- 12V and 24V applicable
- IP65 compliant
- Made for harsh environment
- Mountable in any direction
- Rapid response to transient-conditions



Compact and reliable rotary actuator for Cummins engines with PT fuel systems

The HT-TM2200-75-E4 from Huegli Tech AG is a compact, robust and reliable rotary brushless actuator for use on Cummins engines with PT fuel systems.

Energized by a signal from a speed control unit, this actuator is capable of delivering fuel at rates up to 1700 lbs/hr. Since the motor is totally sealed, outstanding reliability is achieved.

This actuator is easy to install and requires zero maintenance over its lifetime.

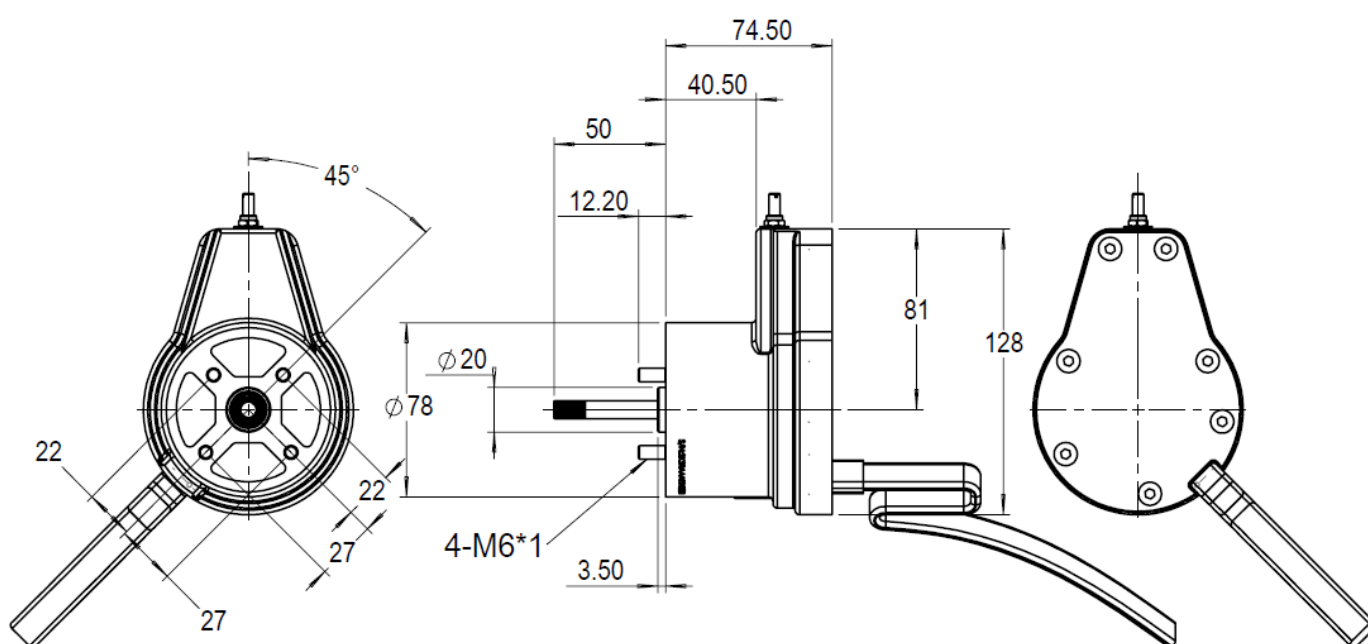
Rotary Actuator

HT-TM2200-75-E4

Wiring and Connection Colour Code Table:

A: 12V Wiring Blue <input type="checkbox"/> +/- Orange <input type="checkbox"/> +/- White <input type="checkbox"/> +/- Green <input type="checkbox"/> +/-
B: 24V Wiring Blue <input type="checkbox"/> +/- <input type="checkbox"/> Orange <input type="checkbox"/> White Green <input type="checkbox"/> +/-
IC: Red <input type="checkbox"/> +5V Yellow <input type="checkbox"/> Angle feedback out put Black <input type="checkbox"/> Ground

Outline:



Technical Data

Electrical Power Input

Power Supply.....12VDC or 24VDC

Environmental

Operating Temperature Range.....-40°C to +100°C

Relative Humidity.....Up to 100 %

Vibration.....Up to 25G , 50 – 500 Hz

Physical

Dimensions.....Overall Size within (130x100x 80)mm
(excluding E4 valve)

All Surface Finish.....Corrosion Resistance

Position Sensing.....Feedback voltage to indicate
position of rotation angle

Local Distributor / Partner:



HUEGLI TECH AG (LTD)
Murgenthalstrasse 30
4900 Langenthal Switzerland
Phone: +41 62 916 50 30
Fax: +41 62 916 50 35

e-mail: sales@huegli-tech.com
www.huegli-tech.com