

Benefits:

- Integrated Feedback
- Instant full torque
- 12V and 24V applicable
- IP65 compliant
- 75° working angle
- Made for harsh environment
- Mountable in any direction
- Available in CW/CCW



Compact and reliable rotary actuator from HUEGLI TECH Switzerland

The HT-TM2200-75 is a compact, robust and reliable rotary brush less actuator developed for harsh environmental use.

They are used for diesel and gas engines as well as for dual fuel engines. Everywhere where fast response, precise control and reliability are required; the HT-TM2200-75 is the right choice.

The actuator has an internal contact less position feedback with an accuracy of +/-1%. This actuator is easy to install and requires no maintenance.

Rotary working angle is 75° and available on both Clockwise (CW) and Counterclockwise (CCW).

The actuator has an internal spring for zero position return, however a spring less version is also available.

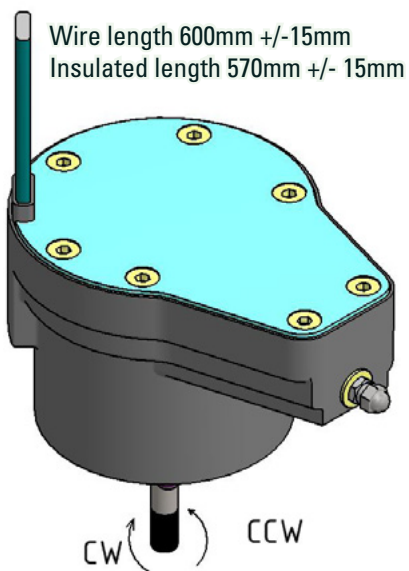
Springless version order code: HT-TM2200-75L-NS.

Together with the HSG-100 speed control, the HT-TM2200-75L-NS can develop a considerable amount of torque driving large gas throttle flaps up to 115mm.

The actuator comes with an integrated harness and a sealed Deutsch connector.

A mating harness including the mating Deutsch connector is available in 4 different options, which are:

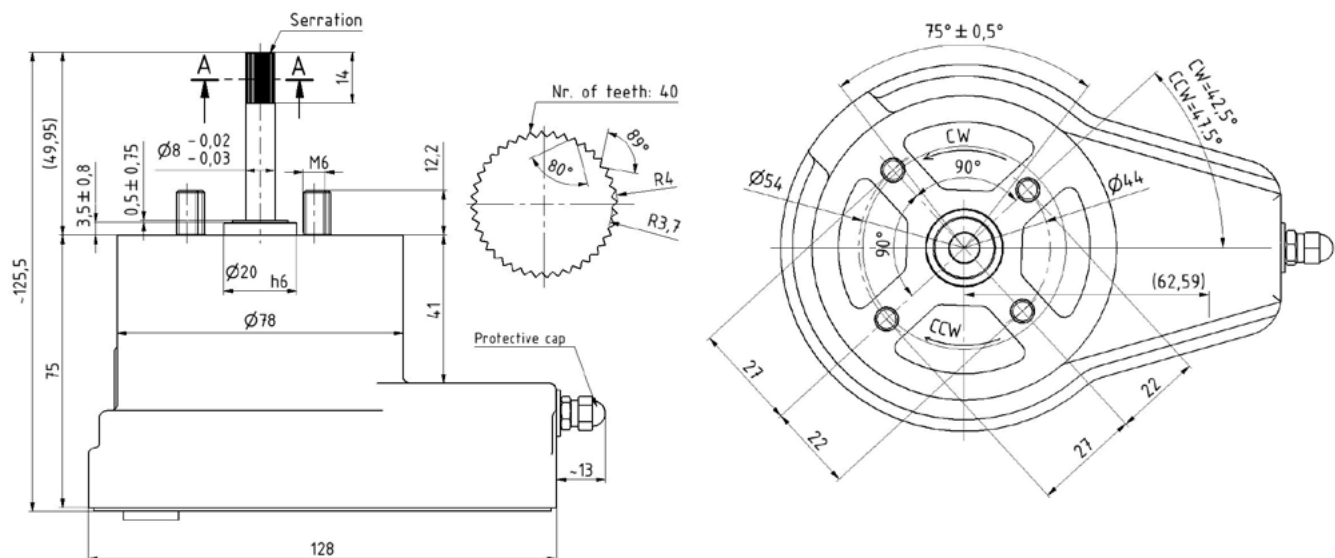
- CH-TM12-L04 => For 12 VDC operation length 4 meter
- CH-TM12F-L04 => For 12 VDC operation with Position Feedback length 4 meter
- CH-TM24-L04 => For 24 VDC operation length 4 meter
- CH-TM24F-L04 => For 24 VDC operation with Position Feedback length 4 meter



Mating Harness with Deutsch connector

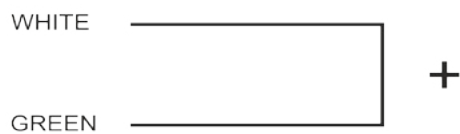
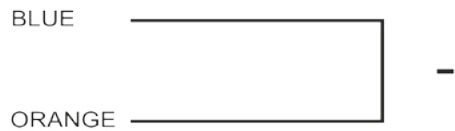


Outline dimensions:



Wiring:

For 12 VDC Wiring



For 24 VDC Wiring



The above shown wiring is for the HT-TM2200-75L. If HT-TM2200-75R is used only change the polarity plus and minus

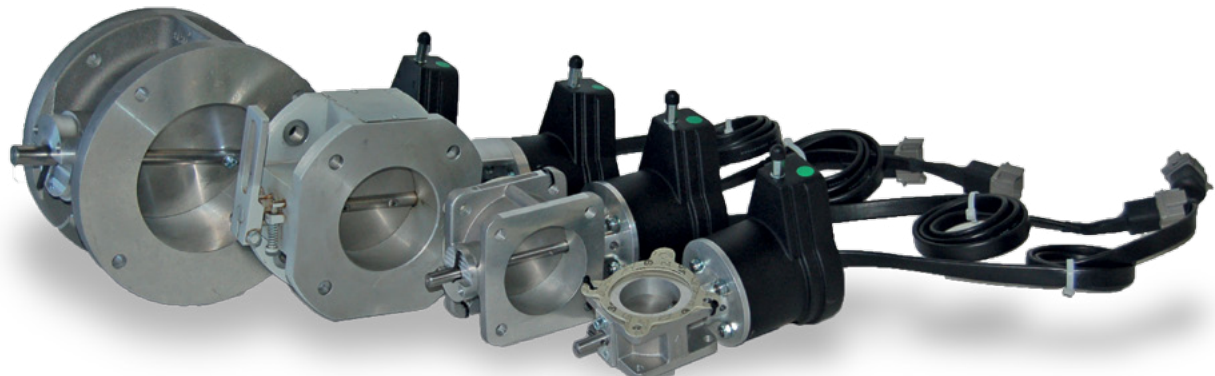
For Rotary Position Sensor IC Wiring

RED ———— +5VDC Supply

YELLOW ———— Position Feedback Out

BLACK ———— Ground

Various throttle flaps foreign brands:



Various throttle flaps OEM brands:



Various diesel application:



Technical Data

Performance

Maximum Torque..... 2.2 Nm Max at ≤ 6 Amps
Angle of rotation.....CW/CCW, 0° to 75° max.

Electrical Power Input

Power Supply.....12VDC or 24VDC

Environmental

Operating Temperature Range.....-40°C to +100°C,
.....-40°C to +130°C
(Average hourly current dissipation < 5.0A)
Relative Humidity.....Up to 100 %

Certification

Vibration.....Up to 25G (peak) , 50 – 500 Hz
IP Rating.....IP65
CE.....EN 55011:2004+A1:2010
EN 61326-1:2013

Position Feedback

Power Supply Input.....5.0VDC +/- 0.25VDC
Signal (Input Voltage Dependent).....0.5-4.5VDC (@ 5VDC)
Accuracy.....+/- 0.75°
Protection.....Reverse Polarity up to 5.5VDC

Local Distributor / Partner:



HUEGLI TECH AG (LTD)
Murgenthalstrasse 30
4900 Langenthal Switzerland
Phone: +41 62 916 50 30
Fax: +41 62 916 50 35

e-mail: sales@huegli-tech.com
www.huegli-tech.com