



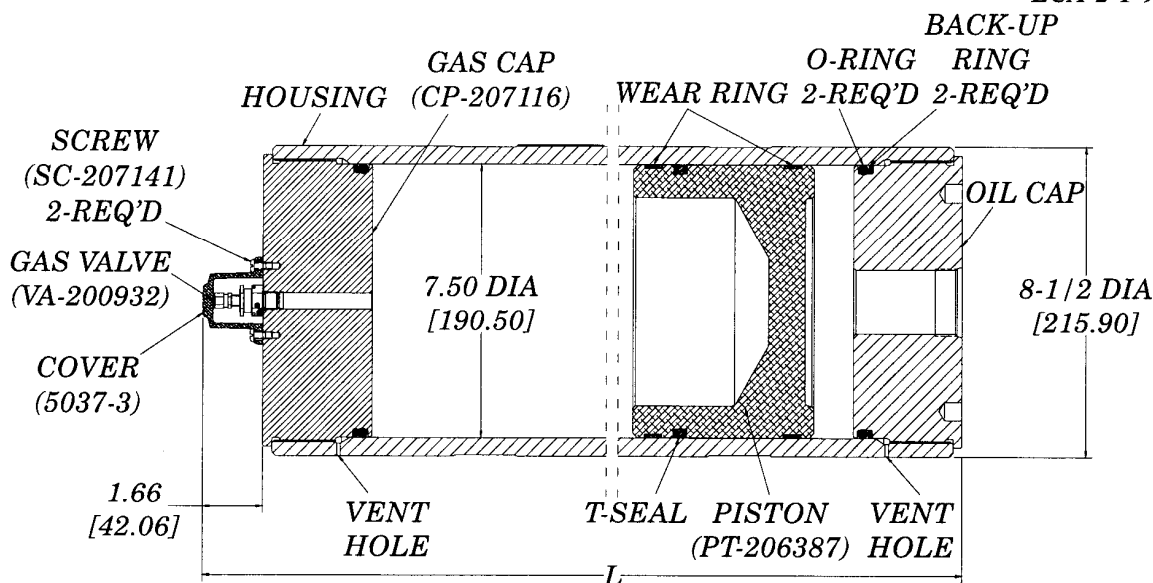
## K-Tech Series

# AKG Piston Accumulators

## 3000 psi Rated

EFFECTIVE 05/01/98

LCA-2-1-9



### Standard AKG Specifications

Housing and End Cap Material.....	Steel	Gas Valve Material.....	Stainless Steel
Standard Port Sizes.....	32P or 24S	Pre-Charge.....	1500 psi (103 bar)
Piston Material.....	Aluminum	Max. Working Pressure.....	3000 psi (206 bar)
T-Seal and O-Ring Material.....	Buna-N	Proof Pressure.....	4500 psi (310 bar)
Back-Up Ring Material.....	Teflon	Burst Pressure.....	12000 psi (827 bar)
Wear Ring Material.....	Teflon	Temp. Range.....	-20°F to 200°F (-29°C to 93°C)

Model No.	Nominal Size		Oil Volume		Gas Volume		Length		Weight	
	gallons	liters	in <sup>3</sup>	liters	in <sup>3</sup>	liters	in	cm	lbs	kg
AKG25B-XXX-NT	2.50	9.46	578	9.47	664	10.88	25.66	65.18	182	83
AKG50B-XXX-NT	5.00	18.93	1155	18.93	1241	20.34	38.91	98.83	229	104
AKG75B-XXX-NT	7.50	28.39	1733	28.40	1819	29.81	51.91	131.85	276	125
AKG100B-XXX-NT	10.00	37.85	2310	37.86	2396	39.27	64.91	164.87	322	146
AKG125B-XXX-NT	12.50	47.31	2888	47.33	2974	48.74	77.91	197.89	369	167
AKG150B-XXX-NT	15.00	56.78	3465	56.79	3551	58.20	91.16	231.55	415	188

Solutions for combustion engines,  
that work right from the beginning.

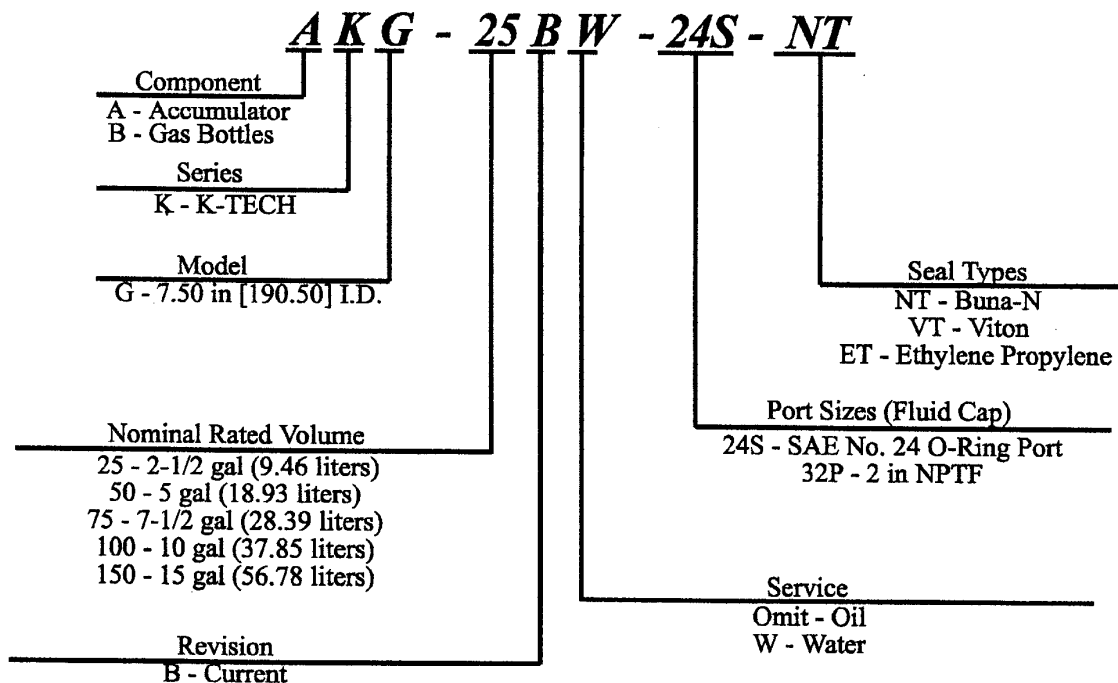
Murgenthalstrasse 30  
CH-4900 Langenthal  
Phone: +41 (0)62 916 50 30  
Fax: +41 (0)62 916 50 35  
E-Mail: sales@huegli-tech.com



**Sealing Options with Corresponding Service Kits**

KTJ Description	Material	Type of Service	Service Kits
NT	Buna-N	Hydrocarbon base fluid	KT-206360
VT	Viton	Phosphate Esters Pydrol 230c, etc.	KT-207150
ET	Ethylene Propylene	Phosphate Esters, Fryquel, Skydrol, etc.	KT-207151

**Ordering Information**



**Available Options**

- Special Plating
- Various Sealing Materials
- Special Port Sizes
- Optional Precharges
- Special Housing Materials
- Gas Bottles

KT-206360 Seal kit BUNA		
Part Number	Description	Qty.
GA-100475	O-Ring (gas valve)	1
0101441	O-Ring BUNA	2
0108441	Backup ring Teflon	2
SE-202992-51	T-Seal BUNA	1
RG-203187-4	Wear ring	2

KT-207150 Seal kit VITON		
Part Number	Description	Qty.
GA-100475	O-Ring (gas valve)	1
0107441	O-Ring VITON	2
0108441	Backup ring Teflon	2
SE-202992-56	T-Seal VITON	1
RG-203187-4	Wear ring	2