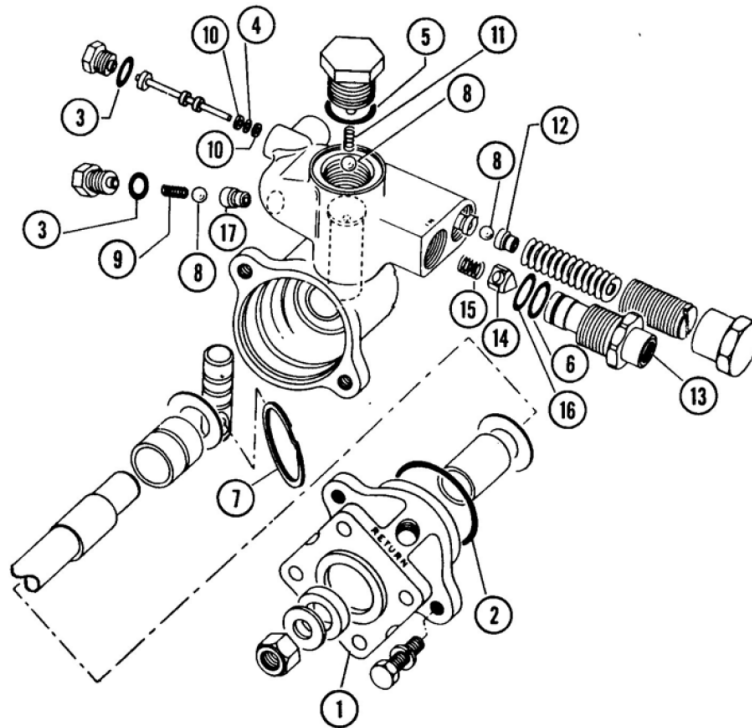


Document:	Datasheet	Author /Date:	DHE / 02.11.2016
Version:	V1.0	Approved /Date:	FHA / 02.11.2016
Category:	Engine Pump		

## Recommended Spare Parts suitable to RPA-Pump Range



Pos.	Part No.:	Description:	Qty.	KT-202788
1	SE-100082	Oil Seal	1	included
2	GA-1129-5	O-Ring Gasket	2	Included
3	GA-1129-1	O-Ring Gasket	1	Included
4	GA-1129-7	O-Ring Gasket	1	Included
5	GA-1129-2	O-Ring Gasket	1	Included
6	GA-1129-4	O-Ring Gasket	1	Included
7	RG-1098	Retaining Ring	2	Included
8	BB-100210	Steel Ball	3	Included
9	SP-202607	Valve Spring	1	Included
10	RG-100157	Back-up Ring	2	Included
11	SP-202702	Valve Spring	1	Included
12	VS-202612	Valve Seat	1	-
13	FI-202617	Adapter Fitting	1	-
14	VA-202616	Inlet Valve	1	-
15	SP-202615	Spring, Inlet-Valve	1	Included
16	RG-1138	Back-up Ring	1	included
17	VS-202602	Valve Seat	1	-

Service Kit KT-202788 available at HT Art. No.: 1892.



### CAUTION:

Prior to any disassembly work, all pressurized fluid in the accumulators must be bled to the reservoir. Always release all hydraulic pressure before disconnecting any lines.