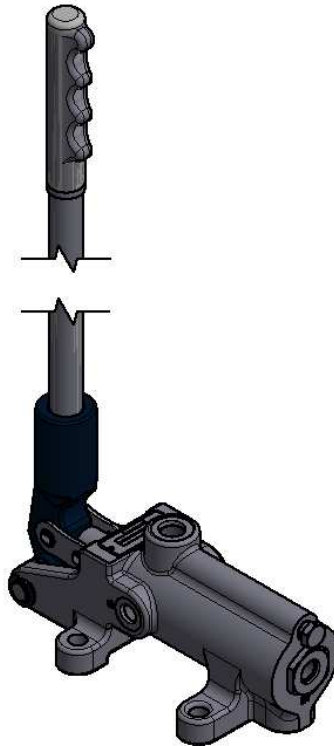


Document:	Datasheet	Author /Date:	FHA / 18.01.2023
Version:	V1.4	Approved /Date:	PM / 18.01.2023
Category:	Hand Pump		

Hand pump HPA-300118-B

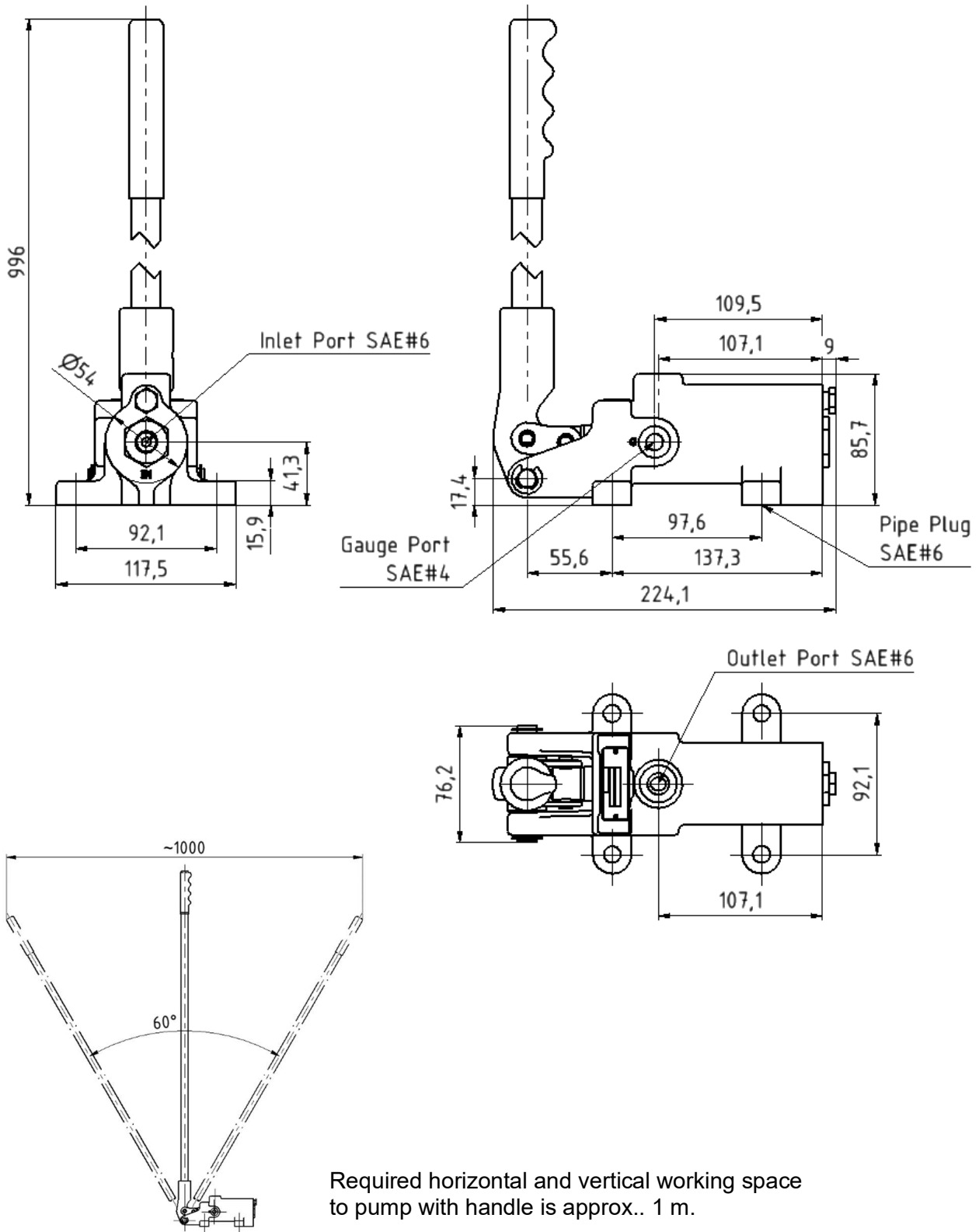


Specifications

Housing material:	Cast aluminium
Piston:	Stainless steel
Handle (included):	Cold rolled steel
O-ring seals:	Buna-N
Back-up rings:	Teflon
By-pass release:	Manual
Displacement:	1.22 cu. in (20 cm ³) per cycle
Weight:	11 lbs (5 kg)
Maximum allowable working pressure:	3000 psi (210 bar)
Force required at 3000 psi (on handle):	48.5 lbs (22 kg)
Recommended viscosity:	Red hydraulic fluid (MIL-H-5606)*
Connection ports:	SAE (see page 2)

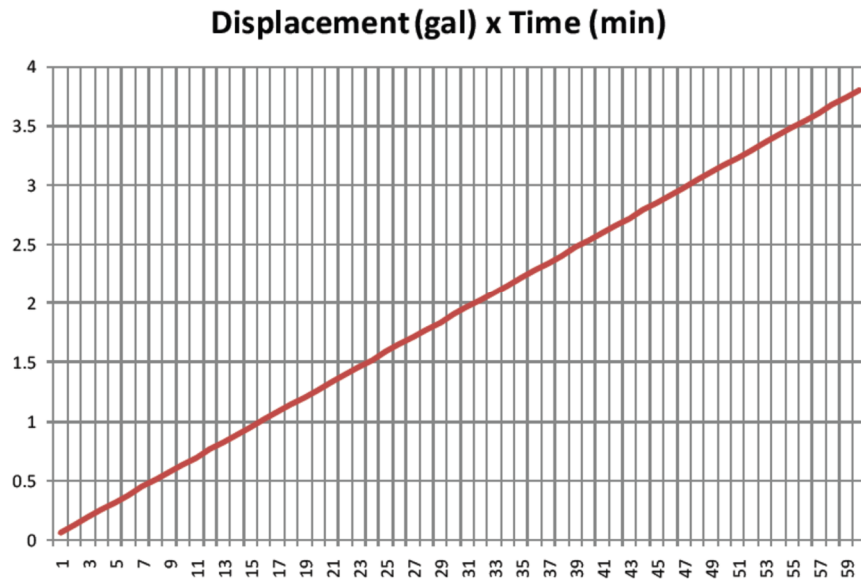
* see Huegli-Tech oil recommendation for more details

Dimensions



Required horizontal and vertical working space to pump with handle is approx.. 1 m.

Performance graph



The graph shown above assumes a user can complete one cycle (1.22 cu. in. / 20 cm³) every 5 seconds (12 cycles per minute) and remain consistent during a period of 60 minutes. Please consult Huegli-Tech for theoretical recharging time for a specific application.

Spare Parts

Service Kit: HT- KT-202565

Qty.	Description	Item no.
1	Bleeder screw O-ring	GA-100113
1	Inlet fitting O-ring (outer)	GA-100213
1	Inlet fitting back-up ring	RG-100214
1	Inlet fitting O-ring (inner)	GA-100215
1	Check valve seat O-ring	GA-100108
1	Plunger back-up ring	RG-100209
1	Plunger O-ring	GA-100110
2	Check valve spring	SP-200605
1	Plunger gland O-ring (inner)	GA-100111
1	Plunger gland back-up ring	RG-208226
1	Plunger gland O-ring (outer)	GA-100097
1	Plunger gland back-up ring	RG-100208



CAUTION:

Prior to any disassembly work, all pressurized fluid in the accumulators must be bled to the reservoir. Always release all hydraulic pressure before disconnecting any lines.