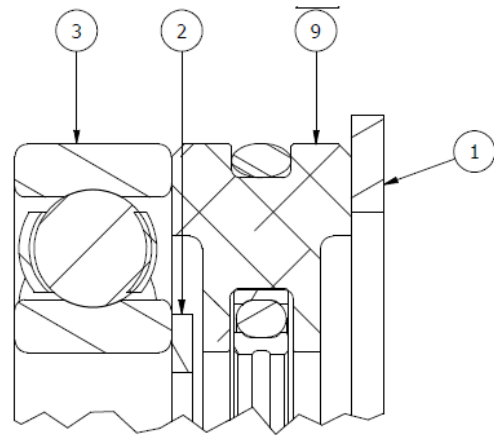


Document:	Datasheet	Author /Date:	MLU / 22.12.2015
Version:	V1.1	Approved /Date:	HE / 28.02.2018
Category:	Hydrotor		

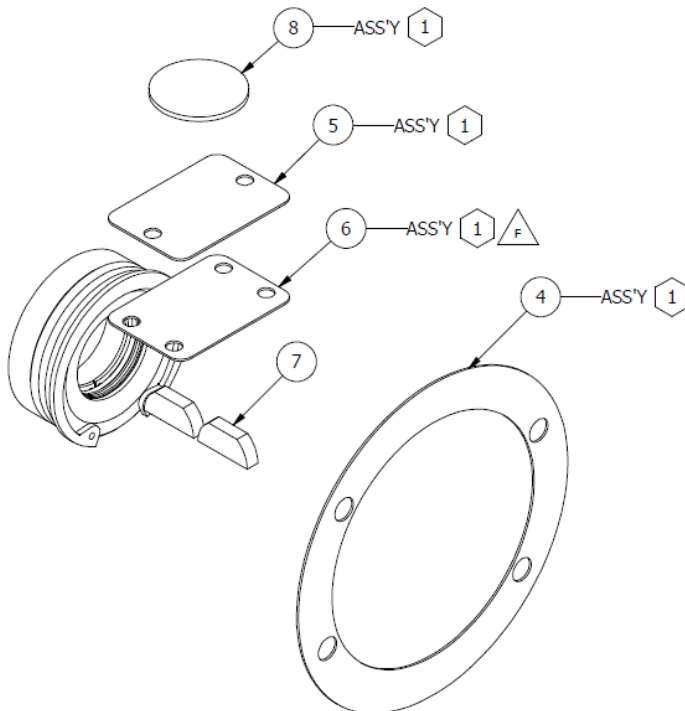
## Service Kit KT-207838 to E Series (ex CME)

PARTS LIST			
ITEM	QTY	PART NUMBER	DESCRIPTION
1	1	1001048	RETAINING RING
2	1	1002037	RETAINING RING
3	1	BB-206882	BALL BEARING
4	1	GA-207691	PINION HOUSING GASKET
5	1	GA-208700	GASKET
6	1	GA-208828	GASKET
7	2	KY-4-6	ALLOY WOODRUFF KEY
8	1	PG-1124	EXPANSION PLUG
9	1	SE-208833	SHAFT SEAL ASSEMBLY



**SEAL ORIENTATION**  
**SCALE 3:1**

### Assembly Instructions



To be ordered separately:  
Assembly tool TK-1205

### Assembly Notes

Items Pos. 4, 5, 6 and 8 may not be required, revision/version dependent.  
Use Assembly tool TK-1205 to avoid damages during mounting.