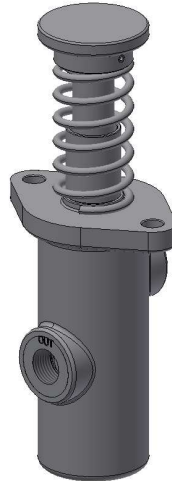


Document:	Datasheet	Author /Date:	DHE / 09.11.2016
Version:	V1.1	Approved /Date:	FHA / 09.11.2016
Category:	Start Valves		

Foot Start Valve VA-202180-A



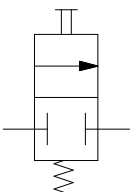
Technical Data

HT Art. Nr.:	10273
Max working pressure MAWP:	3000 PSI (207bar)
Type:	Foot operated start valve
Flow capacity:	20GPM (76l/min)
Temperature range:	-40°C... 120°C
Force on pedal to open the valve:	29.5kg
Normal position:	closed
Connections:	SAE#6 Female Ports
Materials:	
Housing:	Aluminium*
Pedal:	Aluminium
O-Rings:	Buna-N
Recommended Viscosity:	ISO VG15**
Weight:	0.7kg

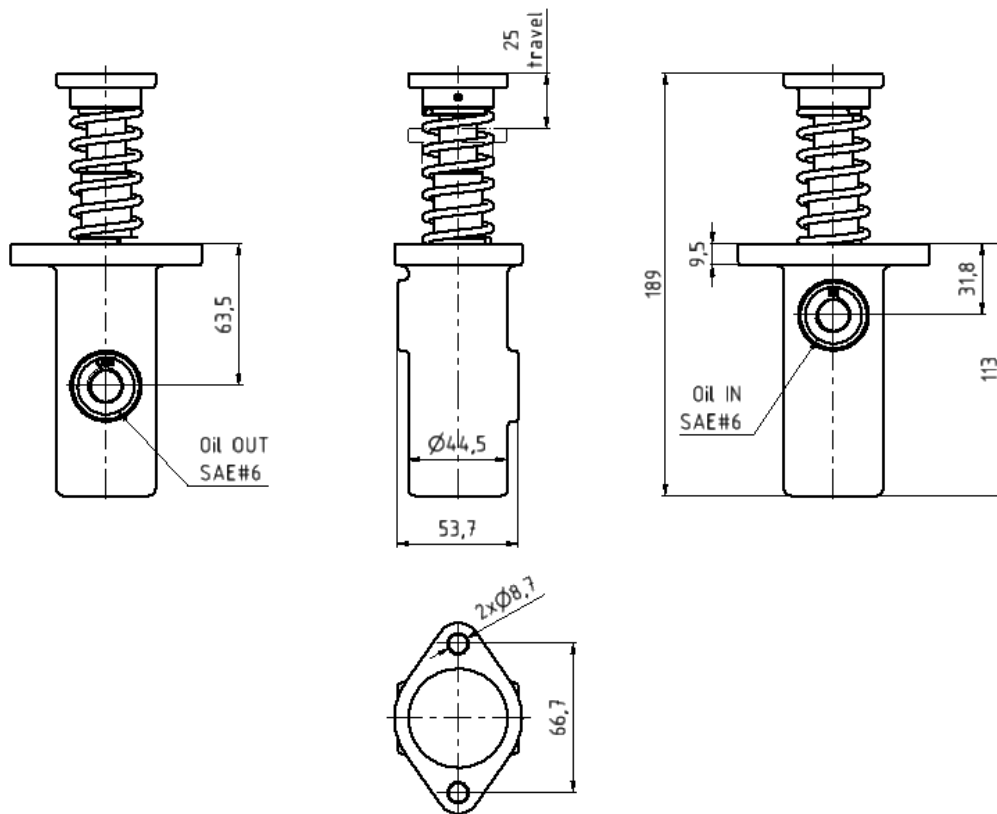
*Also available in ductile iron at HT Art. Number: 4878

** see HT oil recommendations for more details

Symbol



Dimensions



Service Kit KT-207840

consisting of:

3 pcs.	GA-100106	O-ring
1 pc.	RG-100253	Snap-ring

Adapter Kit KT-202180-1

This Adapter Kit will be required if the Bowden Wire Valve is for a replacement of the previous item VA-202180 with NPTF ports.



CAUTION:

Prior to any disassembly work, all pressurized fluid in the accumulators must be bled to the reservoir. Always release all hydraulic pressure before disconnecting any lines.