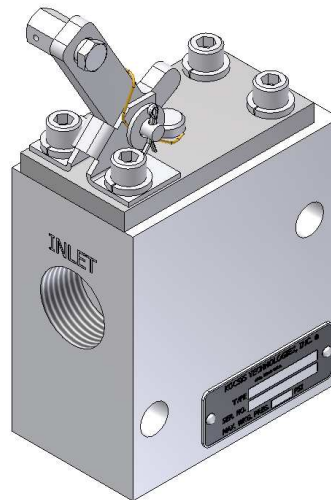


Document:	Datasheet	Author /Date:	DHE / 20.05.2016
Version:	V1.1	Approved /Date:	FHA / 20.05.2016
Category:	Start Valves		

## Bowden Wire Start Valve VCA-300378-B



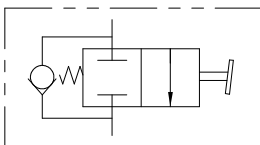
### Technical Data

HT Art. Nr.:	10968
Max working pressure MAWP:	3000 PSI (207bar)
Type:	Manual operated dump valve
Flow capacity:	35GPM (133l/min)
Temperature range:	-30°C... 50°C
Normal position:	closed
Connections:	SAE#12 Female Ports
Materials:	
Housing:	Aluminium*
Lever:	Steel
O-Rings:	Buna-N
Recommended Viscosity:	ISO VG15**
Weight:	1.1kg

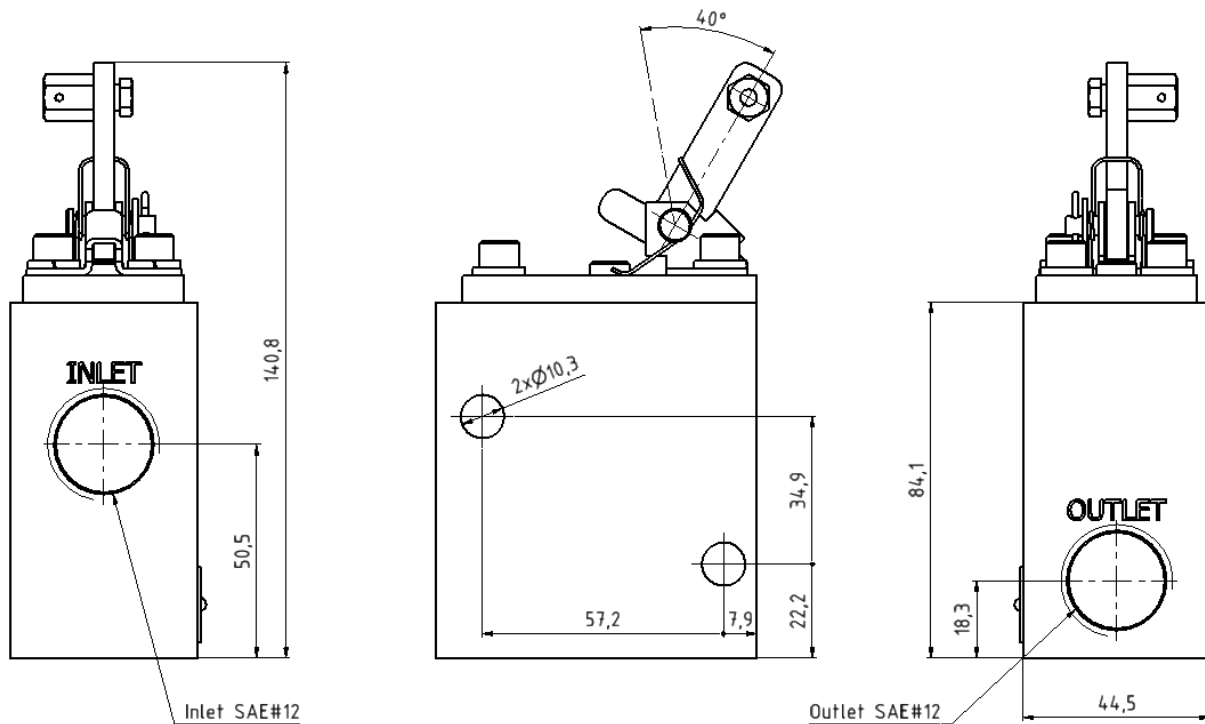
\*Also available in ductile iron at HT Art. Number: TBA

\*\* see HT oil recommendations for more details

### Symbol



## Dimensions



## Service Kit KT-203381

consisting of:

3 pcs.	GA-1145	O-ring
1 pc.	GA-1129-6	O-ring
1 pc.	PN-403957	Actuator pin
1 pc.	BB-1081	Steel ball
1 pc.	SP-202767	Return spring

## Adapter Kit KT-300378-1

This Adapter Kit will be requested if the Bowden Wire Valve is for a replacement of the previous item VCA-300378 with NPTF ports.

Adapter Kit for Retrofit: KT-300378-1



### CAUTION:

Prior to any disassembly work, all pressurized fluid in the accumulators must be bled to the reservoir. Always release all hydraulic pressure before disconnecting any lines.